

4.0 Sockets



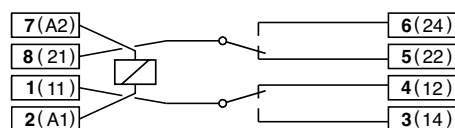
Type	S2-B 2-pole, 1 connection level Coding ring optional Integrated retaining clip and labelling space
Rated current	10 A
Specifications	
Rated load	10 A / 300 V
Insulation	Test voltage V rms / 1 min
– All terminals/DIN rail	2,5 kV
– Terminal/terminal	2,5 kV
Cross-section of connecting wire	
– Single-wire	4 mm ² or 2 x 2,5 mm ²
– Multi-wire	22 - 14 AWG
Max. screw torque	1,2 Nm
Screw dimensions	M3, Pozzi, slot
Integrated retaining clip/plastic	for relay series C2
Labelling space	detachable
Connection label	1...8; DIN/EN
Mounting	DIN rail T35 or mounting plate
Ambient temperature operation/storage	-40 (no ice)...60 °C / -40 ... 80 °C
Weight	48g

Associated, plug-in 8-pin MRC relays	C2-A, C2-G, C2-T
Suitable for holding the Releco coding ring For coding the relay and the socket.	

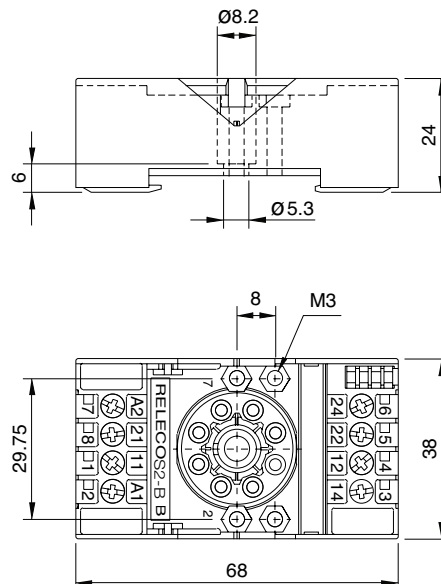
Accessories	
Coding ring, blue set:	S2-BC
Retaining spring, steel	Packaging unit: 5 pcs
Retaining clip, plastic	S3-C, S3-CT (with Timecube) CP-15B



Connection diagram



Dimensions [mm]

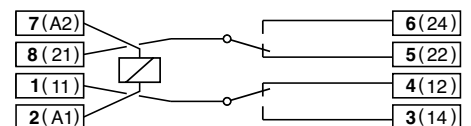
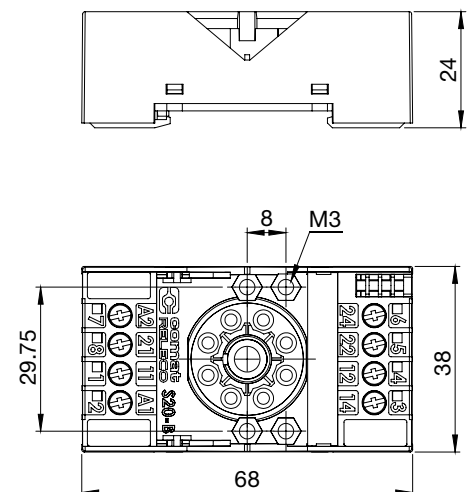


Technical approvals, conformities



EN 60947-1, EN 61810-1

Type	S20-B 2-pole, 1 connection level Integrated retaining clip and labelling space
Rated current	10 A
Specifications	
Rated load	10 A / 300 V
Insulation	Test voltage V rms / 1 min
– All terminals/DIN rail	2,5 kV
– Terminal/terminal	2,5 kV
Cross-section of connecting wire	
– Single-wire	2,5 mm ² or 2 x 1,5 mm ²
– Multi-wire	22 - 14 AWG
Max. screw torque	0,7 Nm
Screw dimensions	M3, Pozi, slot
Integrated retaining clip/plastic	for relay series C20
Labelling space	detachable
Connection label	1...8; DIN/EN
Mounting	DIN rail T35 or mounting plate
Ambient temperature operation/storage	-40 (no ice)...60 °C / -40 ... 80 °C
Weight	48 g
Associated, plug-in 8-pin relays	C20-A
Accessories	
Retaining spring, steel	HF-32, HF-33 (with Timecube)
Retaining clip, plastic	S30-CM

**Connection diagram****Dimensions [mm]****Technical approvals, conformities**

EN 60947-1, EN 61810-1

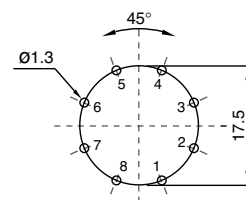
S2-L, S2-P, S2-PO

Socket for PCB and soldering according to IEC 67-I-5b for relays C2-...

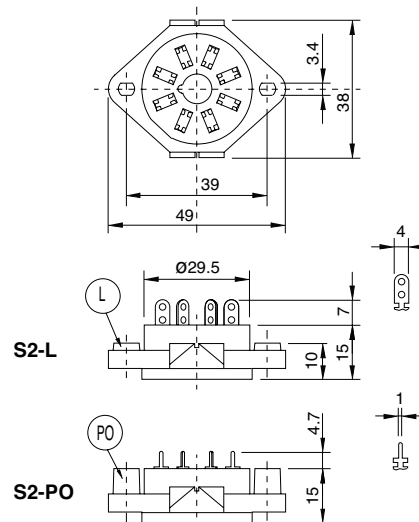
Type	S2-L 2-pole, flange panel mountable
	S2-P 2-pole, printed circuit
	S2-PO 2-pole, printed circuit with flange
Rated current	10 A
Specifications	
Rated load	10 A / 300 V
Insulation	test voltage Vrms / 1min
Between terminals	2,5 kV
Connection label	1...8; DIN/EN
Ambient temperature operation/storage	-40 (no ice)...60 °C / -40 ... 80 °C
Weight	17g
Accessories	
Retaining spring, steel	S3-C



Printed circuit lay-out [mm]



Dimensions [mm]



Technical approvals, conformities



EN 60947-1, EN 61810-1

Type	S3-B 3-pole, 1 connection level Coding ring optional Integrated retaining clip and labelling space
Rated current	10 A
Specifications	
Rated load	10 A / 250 V
Insulation	Test voltage V rms / 1 min
All terminals/DIN rail	2,5 kV
– Terminal/terminal	2,5 kV
Cross-section of connecting wire	
– Single-wire	4 mm ² or 2 x 2,5 mm ²
– Multi-wire	22 - 14 AWG
Max. screw torque	1,2 Nm
Screw dimensions	M3, Pozi, slot
Integrated retaining clip/plastic	for relay series C3
Labelling space	detachable
Connection label	1... 11; DIN/EN
Mounting	DIN rail T35 or mounting plate
Ambient temperature	-40 (no ice)...60 °C / -40 ... 80 °C
Weight	55g

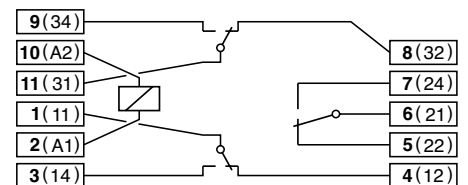
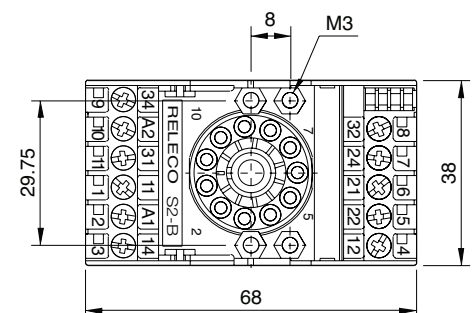
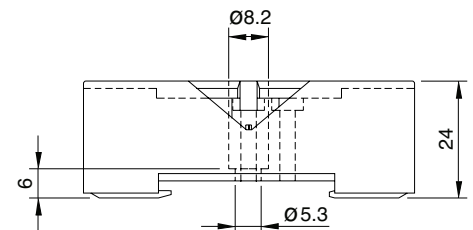
Associated, plug-in 11-pin MRC relays	C3-A, C3-G, C3-T, C3-X, C3-M, C3-R, C3-E, C3-N, C3-S
Suitable for holding the Releco coding ring For coding the relay and the socket.	

Accessories**Coding ring, blue set:**

Retaining spring, steel
Retaining clip, plastic

S3-BC

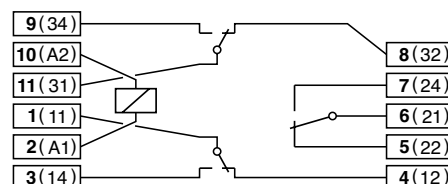
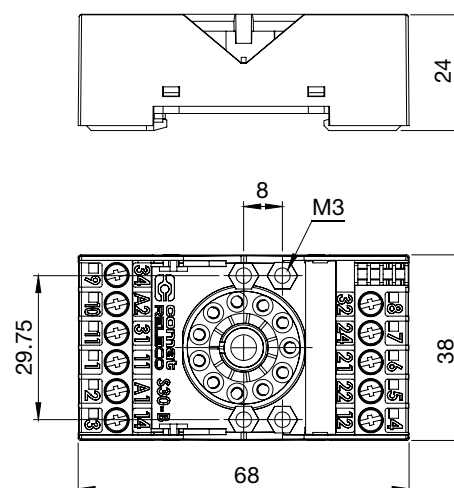
Packaging unit: 5 pcs

S3-C, S3-CT (with Timecube)**CP-15B****Connection diagram****Dimensions [mm]****Technical approvals, conformities**

EN 60947-1, EN 61810-1

Socket for 11-pin standard relay according to IEC 60067

Type	S30-B 3-pole, 1 connection level Integrated retaining clip and labelling space
Rated current	10 A
Specifications	
Rated load	10 A / 250 V
Insulation	Test voltage V rms / 1 min
All terminals/DIN rail	2,5 kV
– Terminal/terminal	2,5 kV
Cross-section of connecting wire	
– Single-wire	2,5 mm ² or 2 x 1,5 mm ²
– Multi-wire	22 - 14 AWG
Max. screw torque	0,7 Nm
Screw dimensions	M3, Pozzi, slot
Integrated retaining clip/plastic	for relay series C30
Labelling space	detachable
Connection label	1... 11; DIN/EN
Mounting	DIN rail T35 or mounting plate
Ambient temperature	-40 (no ice)...60 °C / -40 ... 80 °C
Weight	55 g
Associated, plug-in 11-pin relays	C30-A, C30-M, C30-T, C30-R, C30-X
Accessories	
Retaining spring, steel	HF-32, HF-33 (with Timecube)
Retaining clip, plastic	S30-CM

**Connection diagram****Dimensions [mm]****Technical approvals, conformities**

EN 60947-1, EN 61810-1

S3-MP

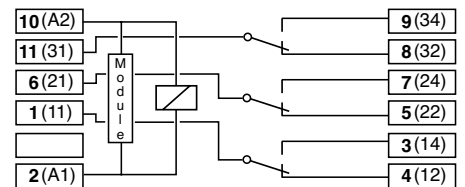
Socket for 11-pin standard relay according to IEC 67-I-18b

Type	S3-MP 3-pole, 1 connection level Integrated retaining clip and labelling space Accepts plug-in modules M3P in parallel with the coil
Rated current	10 A
Specifications	
Rated load	10 A / 250 V
Insulation	Test voltage V rms / 1 min
- All terminals/DIN rail	2,5 kV
- Terminal/terminal	2,5 kV
Cross-section of connecting wire	
- Single-wire	4 mm ² or 2 x 2,5 mm ²
- Multi-wire	22 - 14 AWG
Max. screw torque	1,2 Nm
Screw dimensions	M3, Pozi, slot
Integrated retaining clip/plastic	for relay series C3
Labelling space	detachable
Connection label	1...11; DIN/EN
Mounting	DIN rail T35 or mounting plate
Ambient temperature operation/storage	-40 (no ice)...60 °C / -40 ... 80 °C
Weight	54g
Associated, plug-in 11-pin MRC relays	C3-A, C3-G, C3-T, C3-X, C3-M, C3-R, C3-E, C3-N, C3-S
Suitable for holding the Releco coding ring	
For coding the relay and the socket.	

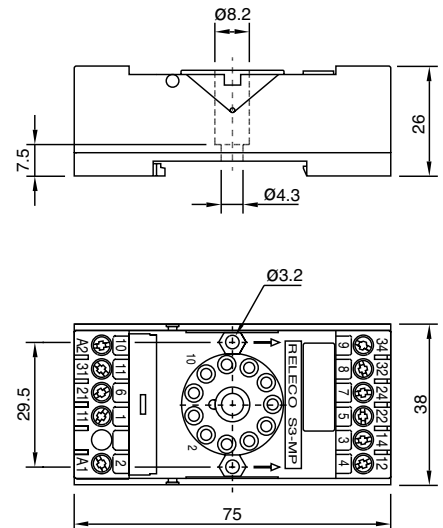
Accessories	
Coding ring, blue set:	S3-BC
	Packaging unit: 5 pcs
Parallel module	M3P
Retaining spring, steel	S3-C, S3-CT (with Timecube)
Retaining clip, plastic	CP-15B



Connection diagram



Dimensions [mm]



Technical approvals, conformities



EN 60947-1, EN 61810-1

Socket for 11-pin standard relay according to IEC 67-I-18b

Type	S3-S 3-pole, 2 connection level Coding ring optional Integrated retaining clip and labelling space
Rated current	10 A
Specifications	
Rated load	10 A / 250 V
Insulation	Test voltage V rms / 1 min
– All terminals/DIN rail	2,5 kV
– Terminal/terminal	2,5 kV
Cross-section of connecting wire	
– Single-wire	4 mm ² or 2 x 2,5 mm ²
– Multi-wire	22 - 14 AWG
Max. screw torque	1,2 Nm
Screw dimensions	M3, Pozi, slot
Integrated retaining clip/plastic	for relay series C3
Labelling space	detachable
Connection label	1...11; DIN/EN
Mounting	DIN rail T35 or mounting plate
Ambient temperature operation/storage	-40 (no ice)...60 °C / -40 ... 80 °C
Weight	69g

Associated, plug-in 11-pin MRC relays	C3-A, C3-G, C3-T, C3-X, C3-M, C3-R, C3-E, C3-N, C3-S
Suitable for holding the Releco coding ring	
For coding the relay and the socket.	

DIN rail or panel mounting. Removable label.
EN /DIN and sequential numbering. According to EN 60947.1 and IEC 61810.1

Accessories

Coding ring, Set red:

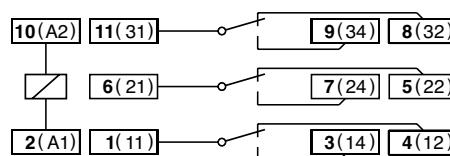
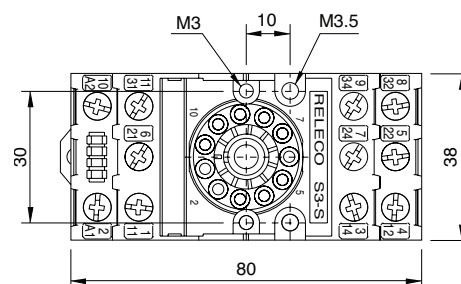
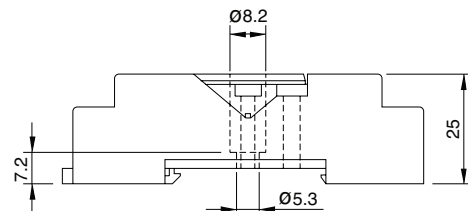
S3-BC

Packaging unit: 5 pcs

Retaining spring, steel

S3-C, S3-CT (with Timecube)

Retaining clip, plastic

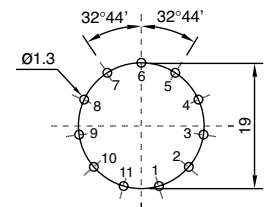
CP-15B**Connection diagram****Dimensions [mm]****Technical approvals, conformities**

EN 60947-1, EN 61810-1

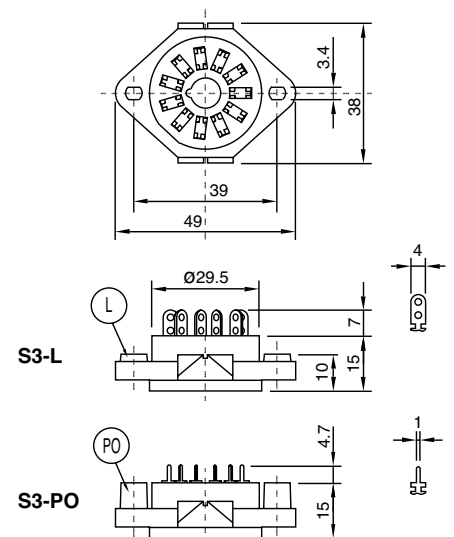
Type	S3-L 3-pole, flange panel mountable
	S3-PO 3-pole, printed circuit with flange
Rated current	10 A
Specifications	
Rated load	10 A / 250 V
Dielectric strength adjacent pin	2.5 kV
Weight	17g
Accessories	
Retaining spring, steel	S3-C



Printed circuit lay-out [mm]



Dimensions [mm]



Technical approvals, conformities



EN 60947-1, EN 61810-1

C12B0

Socket for 11 pin plug-in relays C3, C31, C32 and plug-in control modules



comat
RELECO
WORLD OF RELAYS

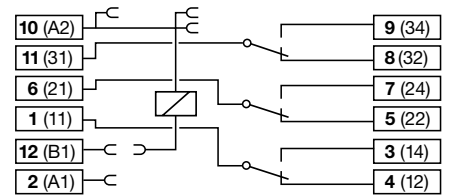
Type:	C12B0 R 3-pole, 1 level Module slot for timer- and monitoring modules, over voltage suppressing- and LED indicator modules coil bridge bus bar to connect in A2
Rated current	10 A
Specifications	
Rated load	10 A / 400 V (cURus: 250 V)
Insulation	Test voltage V_{rms} / 1 min
- All terminals/DIN rail	2,5 kV
- Terminal/terminal	2,5 kV
Cross-section of connecting wire	
- Single-wire	1 x 6 mm ² , 2 x 1,5 mm ²
- Multi-wire	1 x 4 mm ² /AWG12, 2 x 1,5 mm ² /AWG16
Max. screw torque	0,7 Nm
Screw dimensions	M3, Pozzi, slot
Labelling space	detachable
Connection label	1...12; DIN/EN
Mounting	DIN rail TS35 or panel mounting 1 x M4
Ambient temperature operation/storage	-25 (no ice)...60 °C / -40 ... 80 °C
Weight	61g



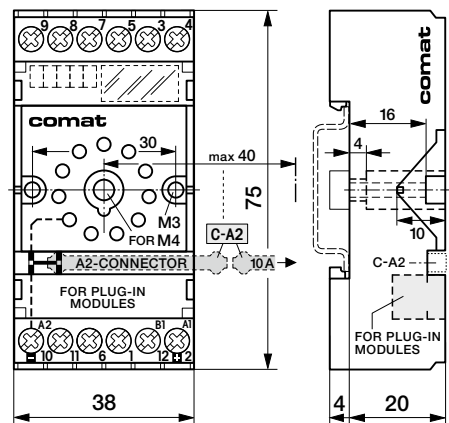
Associated plug-in 11-pin relays	C3, C31, C32
Accessories	
Retaining springs, steel	HF-32 (Relays C31, C32) S3-C (Relays C3) S3-CT (Timecube + Relays C3) HF-33 (Timecube + Relays C31, C32) C-A2 L-16/1 (under transp. plastic cover)
Coil bridge bus bar	
Marking strip cardboard white 8 x 16	

R-Modul	
Module LED	RL1/UC 12-24 V RL1/AC 110-240 V
Module freewheeling diode	RD1/DC 12-220 V
Module freewheeling diode + LED	RDL1/DC 12-24 V RDL1/DC 48 V
Module RC-suppressor	RC1/UC 12-48 V RC1/UC 110-240 V
Module RC-suppressor + LED	RCL1/UC 24 V RCL1/UC 48 V RCL1/AC 110-240 V

Connection diagram



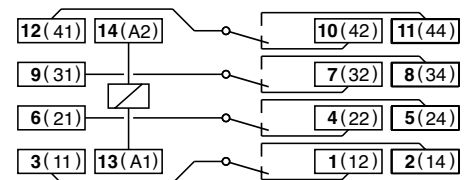
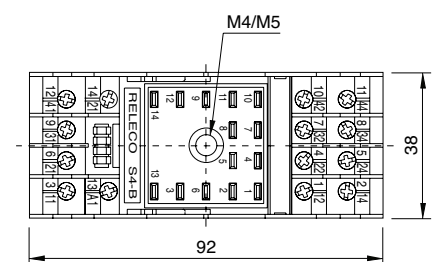
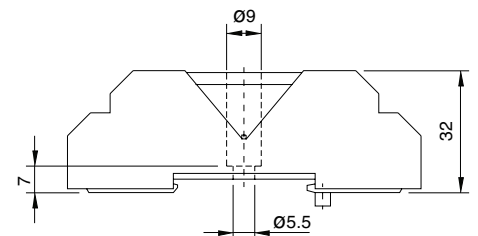
Dimensions [mm]



Technical approvals, conformities



Type	S4-J 4-pole, 2 connection level Logic wiring Integrated retaining clip and labelling space
Rated current	10 A
Specifications	
Rated load	10 A / 250 V
Insulation	Test voltage V rms / 1 min
– All terminals/DIN rail	2,5 kV
– Terminal/terminal	2,5 kV
Cross-section of connecting wire	
– Single-wire	4 mm ² or 2 x 2,5 mm ²
– Multi-wire	22 - 14 AWG
Max. screw torque	1 Nm
Screw dimensions	M3,5, Philips-slot (combo)
Integrated retaining clip/plastic	for relay series C4
Labelling space	detachable
Connection label	1...14; DIN/EN
Mounting	DIN rail TS35 or mounting plate
Ambient temperature	-40 (no ice)...60 °C / -40 ... 80 °C
Weight	80g
Associated, plug-in 11-pin MRC relays	C4-A, C4-X, C4-R
Accessories	
Retaining spring, steel	S4-C
Retaining clip, plastic	CP-15B

**Connection diagram****Dimensions [mm]****Technical approvals, conformities**

EN 60947, EN 61810

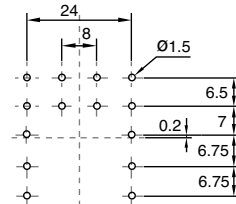
S4-L, S4-P, S4-PO

Socket for soldering and printed circuit for relays C4-...

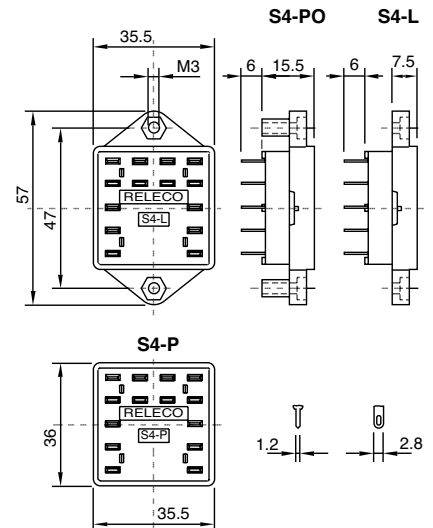
Type	S4-L 4-pole, flange panel mountable
	S4-P 4-pole, printed circuit
	S4-PO 4-pole, printed circuit with flange
Rated current	10 A
Specifications	
Rated load	10 A / 250 V
Test voltage benachbarte Pole	2.5 kV rms 1 min
Ambient temperature	-30 °C ... +60 °C
Weight	21g
Accessories	
Retaining spring, steel	S4-CL



Printed circuit lay-out [mm]



Dimensions [mm]



Technical approvals, conformities

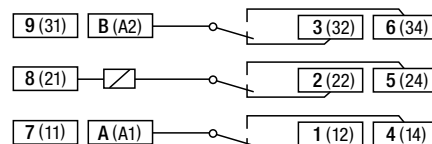


EN 60947-1, EN 61810-1

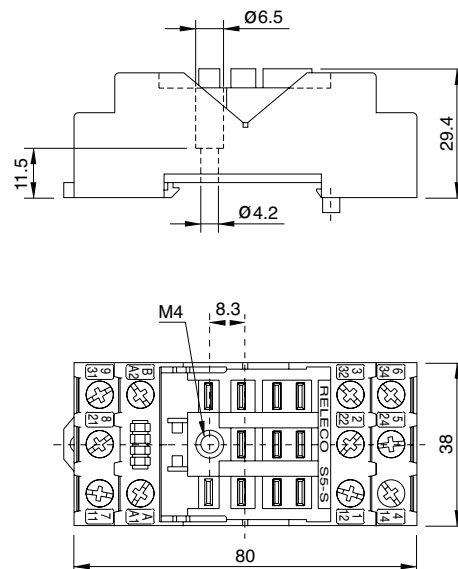
Type	S5-S 3-pole, 2 level Logic wiring Integrated retaining clip and labelling space
Rated current	16 A
Specifications	
Rated load	16 A / 400 V
Insulation	Test voltage V rms / 1 min
- All terminals/DIN rail	4 kV
- Terminal/terminal	4 kV
Cross-section of connecting wire	
- Single-wire	4 mm ² or 2 x 2,5 mm ²
- Multi-wire	22 - 14 AWG
Max. screw torque	1,2 Nm
Screw dimensions	M3,5, Pozzi, slot
Integrated retaining clip/plastic	for relay series C5
Labelling space	detachable
Connection label	1...9, A, B; DIN/EN
Mounting	DIN rail TS35 or mounting plate
Ambient temperature operation/storage	-40 (no ice)...60 °C / -40 ... 80 °C
Weight	81g
Associated, plug-in 11-pin MRC relays	C5-A, C5-G, C5-X, C5-M, C5-R
Mounting in DIN rail TS35 or mounting plate. Labelling space. According to EN 60947 and IEC 61810	



Connection diagram



Dimensions [mm]



Sockets 4.0

4

Technical approvals, conformities



EN 60947-1, EN 61810-1

S5-M

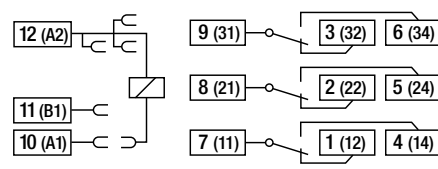
Socket for square base relay C5-...

Type:	S5-M 3-pole, 3 level Module slot for timer- and monitoring modules, over voltage suppressing- and LED indicator modules coil bridge bus bar to connect in A2
Rated current	16 A
Specifications	Rated load 16 A / 400 V Insulation Test voltage V_{rms} / 1 min 4 kV - All terminal/DIN rail 4 kV - Terminal/terminal 4 kV Cross section of connecting wire - Single wire 1 x 6 mm ² , 2 x 2,5 mm ² - Multi wire 1 x 6 mm ² /AWG10, 2 x 1,5 mm ² /AWG16 Max. screw torque 1 Nm Screw dimensions M3,5, Pozi, slot Integrated retaining clip/plastic for relay series C5 Labelling space detachable Connection label 1 ... 12, DIN/EN Mounting DIN rail TS35 or panel mounting 1 x M4 Ambient temperature operation / storage -40 (no ice) ... 60° C/-40 ... 80° C Weight 92g
Associated, plug-in 11-pin MRC relays	C5-A, C5-G, C5-X, C5-M, C5-R

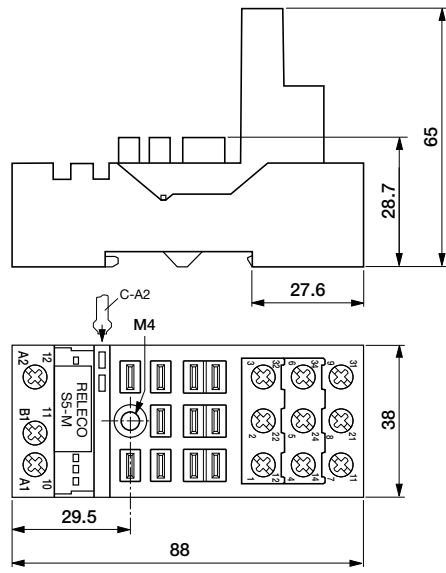
Accessories	C-A2 S5MCP
Coil bridge bus bar	
Retaining clip, plastic	



Connection diagram



Dimensions [mm]



Technical approvals, conformities



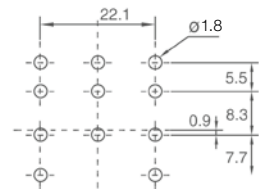
S5-L, S5-P, S5-PO

Socket for soldering and printed circuit for relays C5-...

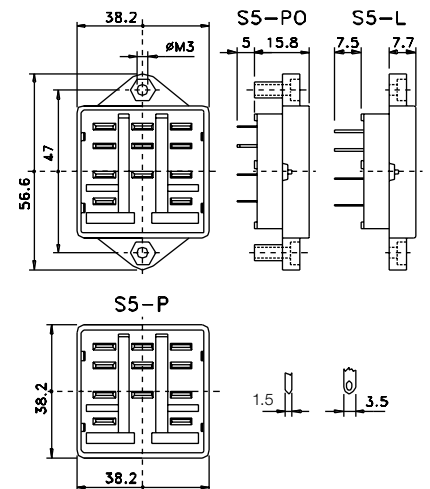
Type	S5-L 3-pole, flange panel mountable
	S5-P 3-pole, printed circuit
	S5-PO 3-pole, printed circuit with flange
Rated current	16 A
Specifications	
Rated load	16 A / 400 V (UL: 300 V)
Ambient temperature operation/storage	-40 (no ice)...60 °C / -40 ... 80 °C
Weight	20g
Accessories	
Retaining spring, steel	S4-CL



Printed circuit lay-out [mm]



Dimensions [mm]



Technical approvals, conformities



EN 60947-1, EN 61810-1

S7-C

Socket for miniature relays C7-... and C80 series time relays

Type:	S7-C 2-pole, 1 level integrated clip and marking label suitable for clips C80 series time relays coil bridge bus bar to connect in A2 plug-in slot for overvoltage suppressing units
--------------	--

Rated current	10 A
----------------------	-------------

Specifications	
Rated load	10 A / 250 V
Insulation	Test voltage V_{rms} / 1 min
- All terminal/DIN rail	2.5 kV
- Terminal/terminal	2.5 kV
Cross section of connecting wire	
- Single wire	4 mm ² , 2 x 1,5 mm ²
- Multi wire	2,5 mm ² / AWG 16, 2 x 1 mm ² / AWG 18
Max. screw torque	0.7 Nm
Screw dimensions	M3, Pozi, slot
Integrated retaining clip/plastic	for relays C7
Labelling space	detachable
Connection label	1 ... 8, DIN/EN
Mounting	DIN rail TS35 or mounting plate
Ambient temperature operation/storage	-40 (no ice) ... 60 °C / -40 ... 80 °C
Weight	37g

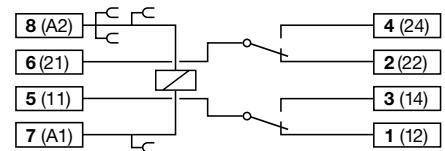
Associated plug-in 8-pin QRC relays	C7-A2x, C7-T, C7-G, C7-X, C7-W, C7-H
Associated C80 time relays	C83, C85, 84

Accessories	
Coil bridge bus bar	S7-BB
Retaining clip, plastic	CP-09B

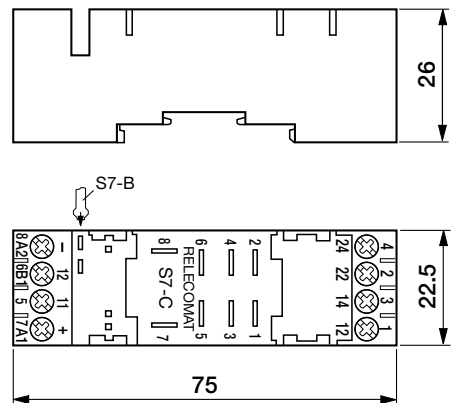
Please note:
This socket replaces former socket S7-M fully compatible



Connection diagram



Dimensions [mm]



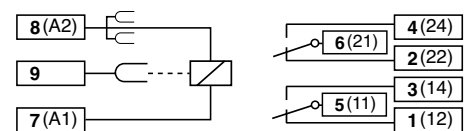
Technical approvals, conformities



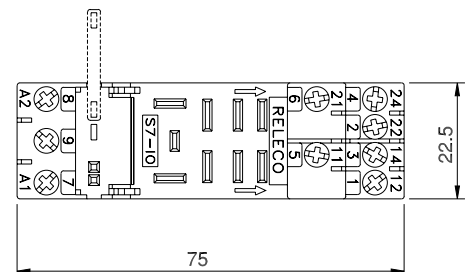
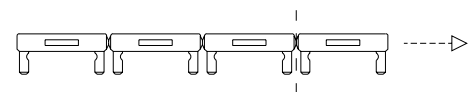
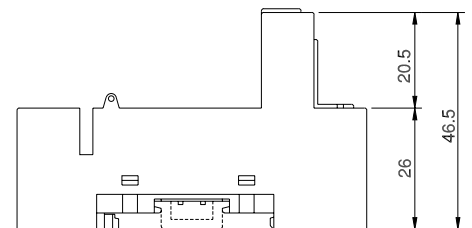
Type	S7-I/O 2-pole, 2 level Integrated clip and marking label Coil bridge bus bar to connect in A2 Logic wiring
Rated current	10 A
Specifications	
Rated load	10 A / 250 V
Insulation	Test voltage V rms / 1 min
- All terminals/DIN rail	2,5 kV
- Terminal/terminal	2,5 kV
Cross-section of connecting wire	
- Single-wire	4 mm ² or 2 x 2,5 mm ²
- Multi-wire	22 - 14 AWG
Max. screw torque	1,2 Nm
Screw dimensions	M3, Pozi, slot
Integrated retaining clip/plastic	for relay series C7
Labelling space	detachable
Connection label	1...8; DIN/EN
Mounting	DIN rail TS35 or mounting plate
Ambient temperature operation/storage	-40 (no ice)...60 °C / -40 ... 80 °C
Weight	38g
Associated, plug-in 8-pin QRC relays	C7-A2x, C7-T, C7-G, C7-X, C7-W, C7-H
Accessories	
Coil bridge bus bar	S7-BB
Retaining clip, plastic	CP-01B



Connection diagram



Dimensions [mm]



Sockets 4.0

4

Technical approvals, conformities

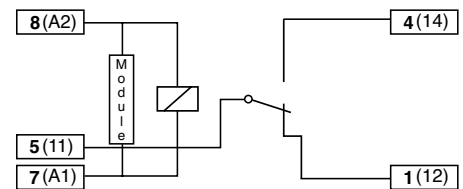


EN 60947-1, EN 61810-1

Type	S7-16 1-pole, 1 level Integrated retaining clip and labelling space
Rated current	16 A
Specifications	
Rated load	16 A / 250 V
Insulation	Test voltage V rms / 1 min
– All terminals/DIN rail	2,5 kV
– Terminal/terminal	2,5 kV
Cross-section of connecting wire	
– Single-wire	4 mm ² or 2 x 2,5 mm ²
– Multi-wire	22 - 14 AWG
Max. screw torque	1,2 Nm
Screw dimensions	M3, Pozi, slot
Integrated retaining clip/plastic	for relay series C7-A10
Labelling space	detachable
Connection label	1...8; DIN/EN
Mounting	DIN rail TS35 or mounting plate
Ambient temperature operation/storage	-40 (no ice)...60 °C / -40 ... 80 °C
Weight	31g
Associated, plug-in 5-pin QRC relays	C7-A10
Accessories	
Retaining clip, plastic	CP-07B

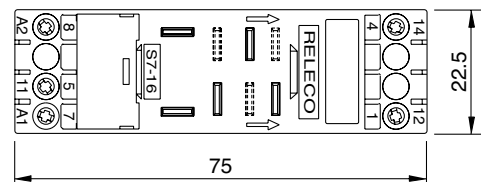
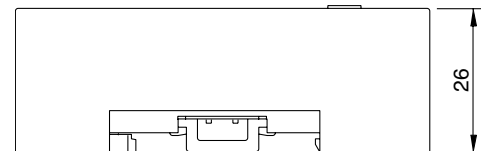


Connection diagram



Dimensions [mm]

S7-16 for relays C7-A10 (16 A)



Technical approvals, conformities

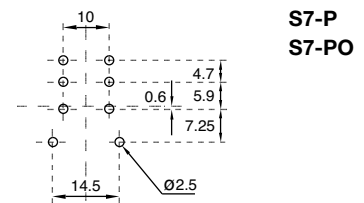


EN 60947-1, EN 61810-1

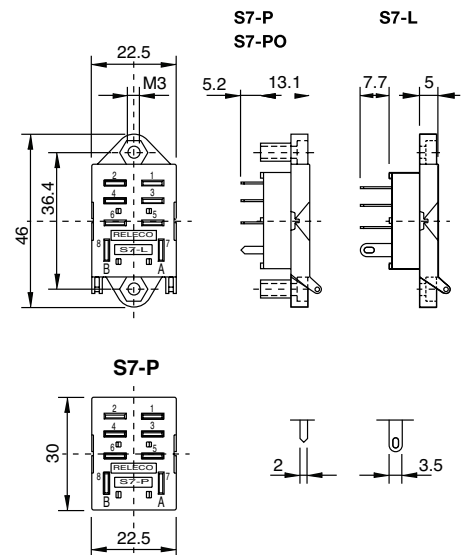
Type	S7-L 2-pole, flange panel mountable
	S7-P 2-pole, printed circuit
	S7-PO 2-pole, printed circuit with flange
Rated current	10 A
Specifications	
Rated load	10 A / 250 V
Dielectric strength adjacent pin	2.5 kV rms / 1 min
Connection label	1...8; DIN/EN
Integrated retaining clip/plastic	for relay series C7 S7-P: (CP-07B) S7-L + S7-PO: (CP-01B)
Ambient temperature operation/storage	-40 (no ice)....60 °C /-40 ... 80 °C
Weight	10g
Accessories	
Retaining clip, plastic for S7-P	CP-07B
Retaining clip, plastic for S7-L + S7-PO	CP-01B



Printed circuit lay-out [mm]



Dimensions [mm]



Technical approvals, conformities

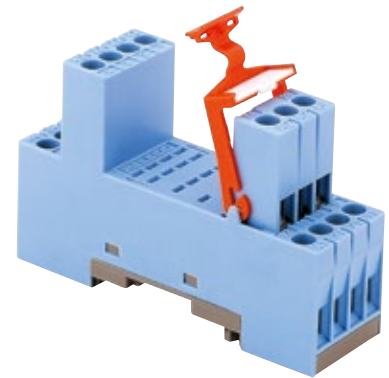


EN 60947-1, EN 61810-1

S9-M

Socket for miniature 4 pole relay C9-...

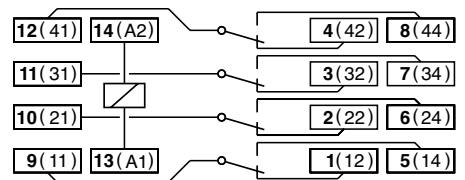
Type	S9-M 4-pole, 2 level Integrated clip and marking label
Rated current	6 A
Specifications	
Rated load	6 A / 250 V
Insulation	Test voltage V rms / 1 min
- All terminals/DIN rail	2,5 kV
- Terminal/terminal	2,5 kV
Cross-section of connecting wire	
- Single-wire	4 mm ² or 2 x 2,5 mm ²
- Multi-wire	22 - 14 AWG
Max. screw torque	0.7 Nm
Screw dimensions	M3, Pozi, slot
Integrated retaining clip/plastic	for relay series C9 (CP-01B)
Labelling space	detachable
Connection label	1...14; DIN/EN
Mounting	DIN rail TS35 or mounting plate
Ambient temperature operation/storage	-40 (no ice)...60 °C / -40 ... 80 °C
Weight	54g



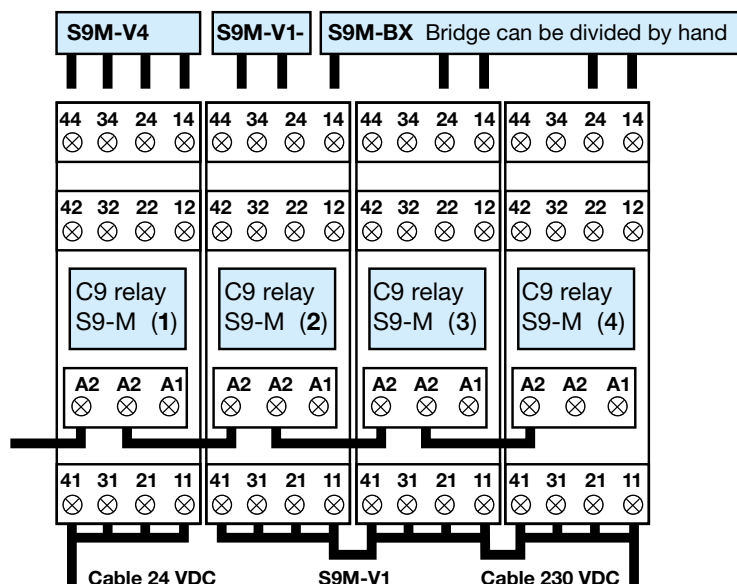
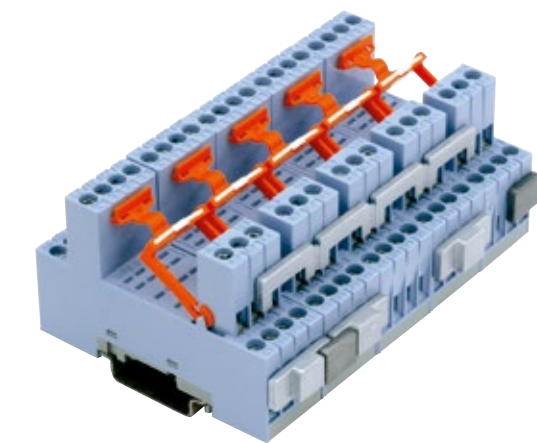
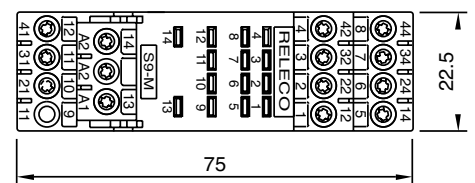
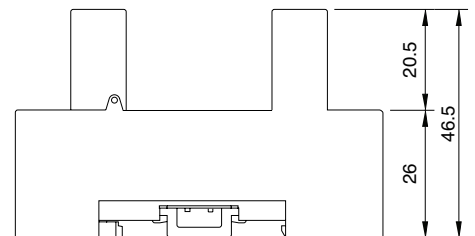
Socket for 4 poles, QRC relays	C9-A, C9-E, C9-R
---------------------------------------	-------------------------

Accessories	CP-01B
Retaining clip, plastic	

Connection diagram



Dimensions [mm]



Technical approvals, conformities



EN 60947-1, EN 61810-1

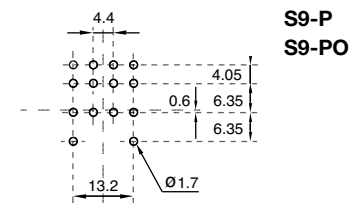
Type	S9-L 4-pole, flange panel mountable
	S9-P 4-pole, printed circuit
	S9-PO 4-pole, printed circuit with flange
Rated current	6 A

Specifications	
Rated load	6 A / 250 V
Dielectric strength adjacent pin	2.5 kV rms / 1 min
Connection label	1...14; DIN/EN
Integrated retaining clip/plastic	for relay series C9
Ambient temperature operation/storage	S9-P: (CP-07B) S9-L + S9-PO: (CP-01B) -40 (no ice)...60 °C / -40 ... 80 °C
Weight	12g

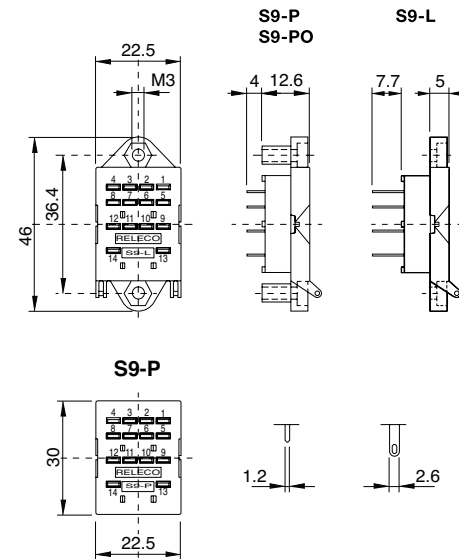
Accessories	
Retaining clip, plastic for S9-P	CP-07B
Retaining clip, plastic for S9-L + S9-PO	CP-01B



Printed circuit lay-out [mm]



Dimensions [mm]



Sockets 4.0

4

Technical approvals, conformities



EN 60947-1, EN 61810-1

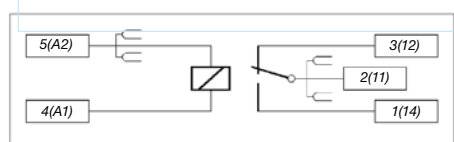
Type	S10 1-pole, 1 connection level Logic wiring Integrated retaining clip and labelling space Coil bridge bar for A2, 11
Rated current	10 A
Specifications	
Rated load	10 A / 250 V
Insulation	Test voltage V rms / 1 min
- All terminals/DIN rail	5 kV
Contact terminals	2,5 kV
Contact / Coil terminals	5 kV
Cross-section of connecting wire	
- Single-wire	4 mm ² or 2 x 2,5 mm ²
- Multi-wire	22 - 14 AWG
Max. screw torque	1,2 Nm
Screw dimensions	M3, Pozi, slot
Integrated retaining clip/plastic	for relay series C10, CSS (CP-17B)
Labelling space	detachable
Connection label	1...5; DIN/EN
Mounting	DIN rail TS35 or mounting plate
Ambient temperature operation/storage	-40 (no ice)...60 °C / -40 ... 80 °C
Weight	23g



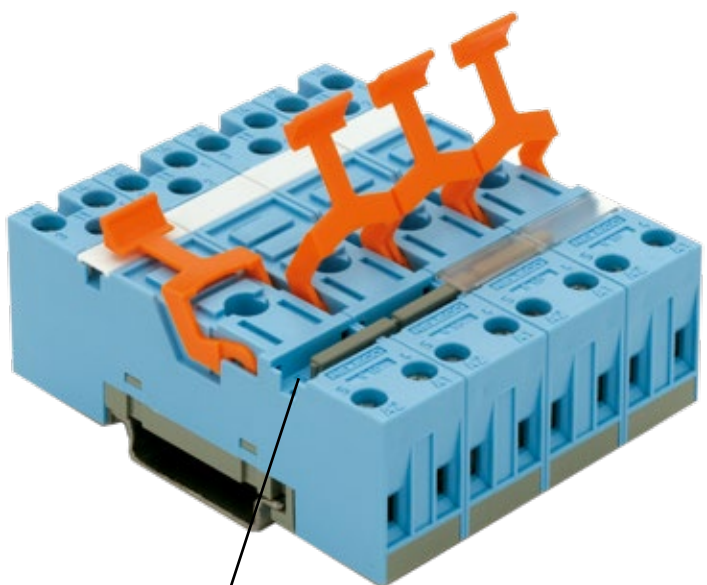
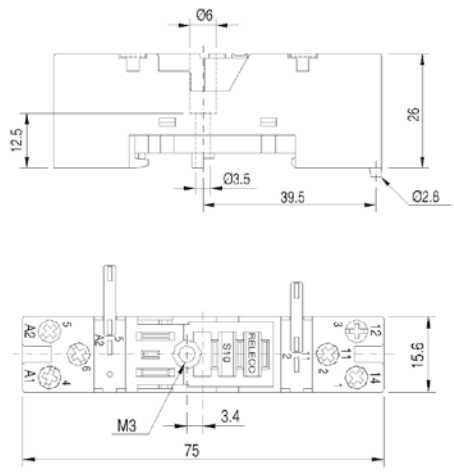
Socket for plug-in 10A IRC relays	C10-A, C10-T, CSS, C10-G
--	---------------------------------

Accessories	
Coil bridge bars	S10-BB
Retaining clip, plastic	CP-17B

Connection diagram



Dimensions [mm]



BRIDGE BAR

Technical approvals, conformities



EN 60947-1, EN 61810-1

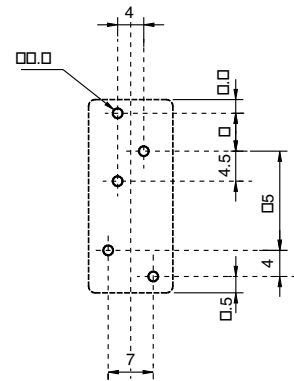
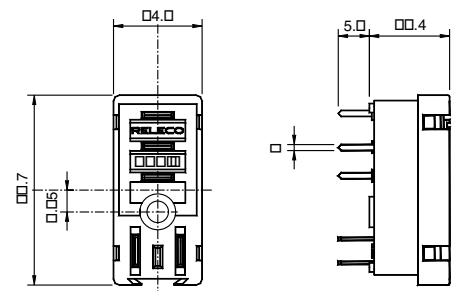
S10-P

Printed circuit socket for Interface relays, C10 and CSS

Type:	S10-P Printed circuit socket for 1-pole IRC relay
Rated current	10 A
Specifications	
Rated load	10 A / 250 V
Insulation	Test voltage V rms / 1 min
Coil terminals to contacts	5 kV rms
Hard Brass tin-platted terminals	0,5 x 1 mm
Integrated retaining clip/plastic	for relay series C10, CSS (CP-24B)
Labelling space	detachable
Connection label	1...5; DIN/EN
Ambient temperature operation/storage	-40 (no ice)...60 °C / -40 ... 80 °C
Weight	7g
Accessories	
Retaining clip, plastic	CP-24B



Dimensions [mm]

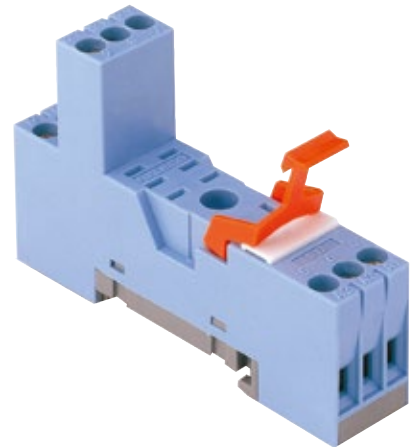


Technical approvals, conformities



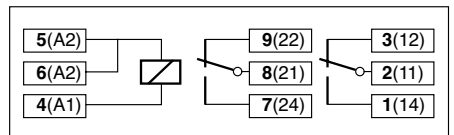
IEC 61810 EN 60947

Type	S12 I/O socket for C12 relays with 2 x CO Logic connection , 5 A
Rated current	5 A
Specifications	<p>Rated load 5 A / 250 V</p> <p>Insulation Test voltage V rms / 1 min 5 kV</p> <p>Contacts terminals 2,5 kV</p> <p>Contacts / Coil terminals 5 kV</p> <p>Cross-section of connecting wire</p> <ul style="list-style-type: none"> – Single-wire 4 mm² or 2 x 2,5 mm² – Multi-wire 22 - 14 AWG <p>Max. screw torque 1,2 Nm</p> <p>Screw dimensions M3, Pozi, slot</p> <p>Integrated retaining clip/plastic for relay series C12 (CP-17B)</p> <p>Labelling space detachable</p> <p>Connection label 1...9; DIN/EN</p> <p>Mounting DIN rail TS35 or mounting plate</p> <p>Ambient temperature operation/storage -40 (no ice)...60 °C / -40 ... 80 °C</p> <p>Weight 31g</p>

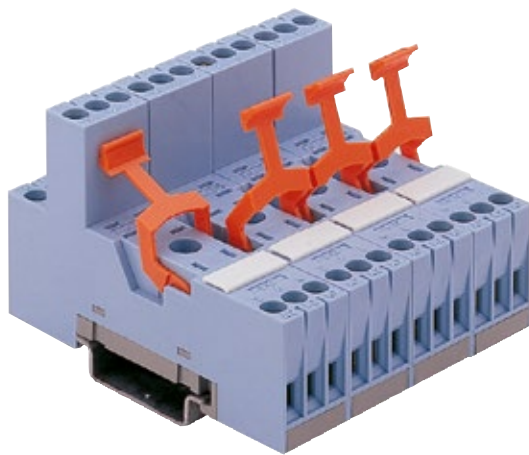
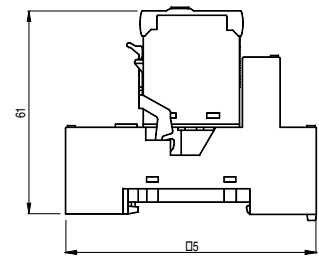
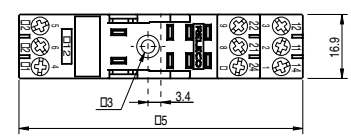
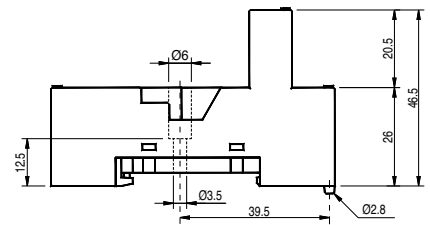


Socket for IRC relays	C12, C12G
Accessories	<p>V10-G, V40-G, V10-R, V40-R, V10-A, V40-A</p> <p>B20-G, B20-R, B20-A, CP-07B</p> <p>CP-17B</p>
Coil bridge bars	
Retaining clip, plastic	

Connection diagram



Dimensions [mm]



Technical approvals, conformities



IEC 61810 EN 60947

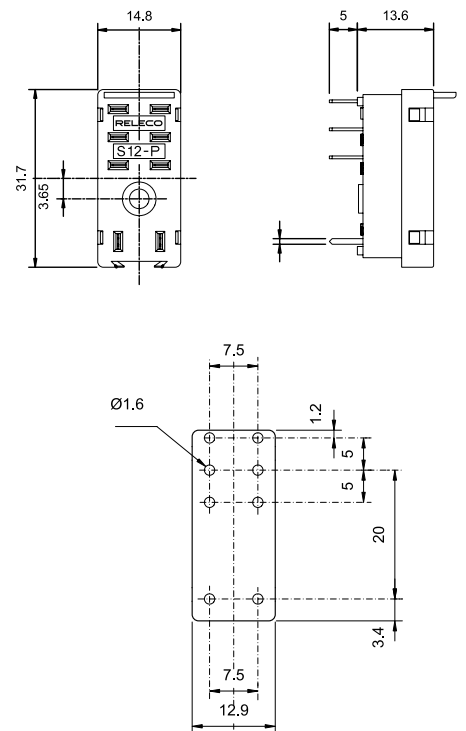
S12-P

Printed circuit socket for Interface relays, C12

Type:	S12-P Printed circuit socket for 2-pole C12 relay
Rated current	5 A
Specifications	
Rated load	5 A / 250 V
Insulation	Test voltage V rms / 1 min
– Pole / Pole	3 kV
– Coil / contact terminals	5 kV
Hard brass tin-plated terminals	0,5 x 1 mm
Weight	7g
Integrated retaining clip/plastic	for relay series C12, (CP-24B)
Accessories	
Retaining clip, plastic	CP-24B



Dimensions [mm]



Technical approvals, conformities



IEC 61810 EN 60947

