

Incremental encoders

Standard optical	Sendix 5000 / 5020 (shaft / hollow shaft)	Push-Pull / RS422 / Open collector
-------------------------	--	---



Due to their sturdy bearing construction in Safety-Lock™ Design, the Sendix 5000 and 5020 offer high resistance against vibration and installation errors.

The rugged housing, high protection level of up to IP67, as well as the wide temperature range of -40°C up to +85°C, make this product range the perfect encoder for all applications.

NEW: 24one delivery promise



Incremental encoders

Safety-Lock™	High rotational speed	Temperature range	High protection level	High shaft load capacity	Shock / vibration resistant	Magnetic field proof	Short-circuit proof	Reverse polarity protection	Optical sensor	Surface protection salt spray-tested optional

Robust performance

- Increased resistance against vibrations and tolerance of installation errors, elimination of machine downtime and repairs thanks to sturdy bearing construction in "Safety-Lock™ Design".
- Ensures highest safety against field breakdowns and is thus suitable also for outside use thanks to its resistant die-cast housing and protection up to IP67.
- Undetachable clamping ring on hollow shaft encoders.
- Wide temperature range, -40°C ... +85°C.

NEW:

- Higher shock resistance.
- Higher vibration resistance.
- IP66 and IP67 protection level in one version.

Many variants

- Suitable connection variant for every specific case: cable connection, M12, M23, MIL and Sub-D connector.
- Reliable mounting in a wide variety of installation situations: comprehensive and proven fixing possibilities.
- Compatible with all US and European standards.
- Max. 5000 pulses per revolution.

NEW:

- Double number of standard pulse numbers.
- Variants with connector fitted in the cable – for error-free electrical connection to your control.
- Additional connector variants (M12 / 5-pin, Sub-D).
- Additional standard cable lengths.

Technology in detail

Robust Safety-Lock™ bearing structure	Cables with fitted connector	Undetachable clamping ring Slotted clamping ring + slotted shaft	Tangential cable outlet

Incremental encoders

Standard optical	Sendix 5000 / 5020 (shaft / hollow shaft)	Push-Pull / RS422 / Open collector
-------------------------	--	---

Order code	8.5000	. XXXX . XXXX					
Shaft version	Type	<table border="1" style="display: inline-table; border-collapse: collapse;"> <tr> <td style="text-align: center;">a</td> <td style="text-align: center;">b</td> <td style="text-align: center;">c</td> <td style="text-align: center;">d</td> <td style="text-align: center;">e</td> </tr> </table>	a	b	c	d	e
a	b	c	d	e			

We offer for all encoders configured with the underlined preferential options our free of charge 24one delivery promise.

Orders placed on working days before 9AM CET are manufactured and ready for dispatch the same day. The 24one delivery promise is limited to 20 pieces per delivery.

24one

- a Flange**
- 5 = synchro flange, IP66/IP67 \varnothing 50.8 mm [2"]
 - 6 = synchro flange, IP65 \varnothing 50.8 mm [2"]
 - 7 = clamping flange, IP66/IP67 \varnothing 58 mm [2.28"]
 - 8 = clamping flange, IP65 \varnothing 58 mm [2.28"]
 - A = synchro flange, IP66/IP67 \varnothing 58 mm [2.28"]¹⁾
 - B = synchro flange, IP65 \varnothing 58 mm [2.28"]¹⁾
 - C = square flange, IP66/IP67 \square 63.5 mm [2.5"]
 - D = square flange, IP65 \square 63.5 mm [2.5"]
 - G = Euroflansch, IP66/IP67 \varnothing 115 mm [4.53"]²⁾
-
- 1 = servo flange, IP66/IP67 \varnothing 50.8 mm [2"]³⁾
 - 2 = servo flange, IP65 \varnothing 50.8 mm [2"]³⁾
 - 3 = square flange, IP66/IP67 \square 52.3 mm [2.06"]³⁾
 - 4 = square flange, IP65 \square 52.3 mm [2.06"]³⁾
 - E = servo flange, IP66/IP67 \varnothing 63.5 mm [2.5"]³⁾
 - F = servo flange, IP65 \varnothing 63.5 mm [2.5"]³⁾
- b Shaft (\varnothing x L), with flat**
- 1 = \varnothing 6 x 10 mm [0.24 x 0.39"]
 - 2 = \varnothing 1/4 x 5/8" (6.35 x 15.875 mm)
 - 6 = \varnothing 8 x 15 mm [0.32 x 0.59"]
 - 3 = \varnothing 10 x 20 mm [0.39 x 0.79"]
 - 4 = \varnothing 3/8 x 5/8" (9.5 x 15.875 mm)
 - B = \varnothing 11 x 33 mm [0.43 x 1.30"], with feather key shaft slot⁴⁾
 - 5 = \varnothing 12 x 20 mm [0.47 x 0.79"]
-
- 7 = \varnothing 1/4 x 7/8"³⁾
 - 8 = \varnothing 3/8 x 7/8"³⁾
- c Output circuit / power supply**
- 4 = RS422 (with inverted signal) / 5 V DC
 - 1 = RS422 (with inverted signal) / 5 ... 30 V DC
 - 2 = Push-Pull (7272 compatible with inverted signal) / 5 ... 30 V DC
 - 5 = Push-Pull (with inverted signal) / 10 ... 30 V DC
 - 7 = Push-Pull (without inverted signal) / 10 ... 30 V DC⁵⁾
-
- 3 = Open collector (with inverted signal) / 5 ... 30 V DC³⁾
 - 8 = Push-Pull (7272 with inverted signal), without capacitor / 5 ... 30 V DC^{1) 3) 6)}

- d Type of connection – cable**
- 1 = axial cable, 1 m [3.28'] PVC
 - A = axial cable, special length PVC *)
 - 2 = radial cable, 1 m [3.28'] PVC
 - B = radial cable, special length PVC *)
- Type of connection – connector*
- P = axial M12 connector, 5-pin⁷⁾
 - R = radial M12 connector, 5-pin⁷⁾
 - 3 = axial M12 connector, 8-pin
 - 4 = radial M12 connector, 8-pin
 - 7 = axial M23 connector, 12-pin
 - 8 = radial M23 connector, 12-pin
 - Y = radial MIL connector, 10-pin
 - W = radial MIL connector, 7-pin
-
- 9 = radial MIL connector, 6-pin³⁾
- Type of connection – connector with cable*
- L = radial cable with M12 connector, 8-pin, special length PVC *)
 - M = radial cable with M23 connector, 12-pin, special length PVC *)
 - N = radial cable with Sub-D connector, 9-pin, special length PVC *)
- *) Available special lengths (connection types A, B, L, M, N):
0.3, 0.5, 1, 2, 3, 4, 5, 6, 8, 10, 12, 15, 20 m [0.98, 1.64, 3.28, 6.56, 9.84, 13.12, 16.40, 19.69, 26.25, 32.80, 39.37, 49.21, 65.62']
order code expansion .XXXX = length in dm
ex.: 8.5000.814A.1024.0030 (for cable length 3 m)
- e Pulse rate**
- 1, 2, 4, 5, 10, 12, 14, 20, 25, 28, 30, 32, 36, 50, 60, 64, 80, 100, 120, 125, 150, 180, 200, 240, 250, 256, 300, 342, 360, 375, 400, 500, 512, 600, 625, 720, 800, 900, 1000, 1024, 1200, 1250, 1500, 1800, 2000, 2048, 2500, 3000, 3600, 4000, 4096, 5000
(e.g. 100 pulses => 0100)
- Optional on request*
- other pulse rates
 - Ex 2/22⁸⁾
 - surface protection salt spray

Mounting accessory for shaft encoders		Order no.
Coupling	bellows coupling \varnothing 19 mm [0.75"] for shaft 6 mm [0.24"]	8.0000.1102.0606
	bellows coupling \varnothing 19 mm [0.75"] for shaft 10 mm [0.39"]	8.0000.1102.1010

Further accessories can be found in the accessories section or in the accessories area of our website at: www.kuebler.com/accessories.

1) 24one type only in conjunction with shaft type 1.
 2) Only in conjunction with shaft type B.
 3) US version.
 4) Only in conjunction with flange type G.
 5) Only in conjunction with type of connection P or R.
 6) Attention: no CE types!
 7) Only in conjunction with output circuit 7.
 8) For the cable connection type, cable material PUR.

Incremental encoders

Standard optical	Sendix 5000 / 5020 (shaft / hollow shaft)	Push-Pull / RS422 / Open collector
-------------------------	--	---

Order code
Hollow shaft

8.5020 . **XXXX** . **XXXX**

Type **a** **b** **c** **d** **e**

We offer for all encoders configured with the underlined preferential options our free of charge 24one delivery promise.

24one

Orders placed on working days before 9AM CET are manufactured and ready for dispatch the same day. The 24one delivery promise is limited to 20 pieces per delivery.

Incremental encoders

a Flange

- 1 = with spring element, long, IP66/IP67**
- 2 = with spring element, long, IP65**
- 3 = with fastening arm, long, IP66/IP67**
- 4 = with fastening arm, long, IP65**
- 7 = with stator coupling, IP66/IP67 ø 65 mm [2.56"]**
- 8 = with stator coupling, IP65 ø 65 mm [2.56"]**
- C = with stator coupling, IP66/IP67 ø 63 mm [2.48"]**
- D = with stator coupling, IP65 ø 63 mm [2.48"]**

- 5 = with stator coupling, IP66/IP67 ø 57.2 mm [2.25"]¹⁾
- 6 = with stator coupling, IP65 ø 57.2 mm [2.25"]¹⁾

b Hollow shaft

- 1 = ø 6 mm [0.24"]
- 2 = ø 1/4"
- 9 = ø 8 mm [0.32"]**
- 4 = ø 3/8"
- 3 = ø 10 mm [0.39"]**
- 5 = ø 12 mm [0.47"]**
- 6 = ø 1/2"
- A = ø 14 mm [0.55"]
- 8 = ø 15 mm [0.59"]**
- 7 = ø 5/8"

c Output circuit / power supply

- 4 = RS422 (with inverted signal) / 5 V DC**
- 1 = RS422 (with inverted signal) / 5 ... 30 V DC**
- 2 = Push-Pull (7272 compatible with inverted signal) / 5 ... 30 V DC**
- 5 = Push-Pull (with inverted signal) / 10 ... 30 V DC**
- 7 = Push-Pull (without inverted signal) / 10 ... 30 V DC³⁾

- 3 = Open collector (with inverted signal) / 5 ... 30 V DC¹⁾**
- 8 = Push-Pull (7272 with inverted signal), without capacitor / 5 ... 30 V DC¹⁾²⁾

d Type of connection – cable

- 1 = radial cable, 1 m [3.28'] PVC**
- A = radial cable, special length PVC *)
- E = tangential cable, 1 m [3.28'] PVC**
- F = tangential cable, special length PVC *)

Type of connection – connector

- R = radial M12 connector, 5-pin⁴⁾
- 2 = radial M12 connector, 8-pin**
- 4 = radial M23 connector, 12-pin**
- 6 = radial MIL connector, 7-pin
- 7 = radial MIL connector, 10-pin**

Type of connection – connector with cable

- H = tangential cable, 0.3 m [0.98'] PVC, incl. M12 connector, 8-pin for central fastening
- L = tangential cable with M12 connector, 8-pin, special length PVC *)
- M = tangential cable with M23 connector, 12-pin, special length PVC *)
- N = tangential cable with Sub-D connector, 9-pin, special length PVC *)

*) Available special lengths (connection types A, F, L, M, N):
0.3, 0.5, 1, 2, 3, 4, 5, 6, 8, 10, 12, 15, 20 m [0.98, 1.64, 3.28, 6.56, 9.84, 13.12, 16.40, 19.69, 26.25, 32.80, 39.37, 49.21, 65.62']
order code expansion .XXXX = length in dm
ex.: 8.5020.234A.1024.0030 (for cable length 3 m)

e Pulse rate

- 1, 2, 4, 5, 10, 12, 14, 20, 25, 28, 30, 32, 36, 50, 60, 64, 80, 100, 120, 125, 150, 180, 200, 240, 250, 256, 300, 342, 360, 375, 400, 500, 512, 600, 625, 720, 800, 900, 1000, 1024, 1200, 1250, 1500, 1800, 2000, 2048, 2500, 3000, 3600, 4000, 4096, 5000**
- (e.g. 100 pulses => 0100)

Optional on request

- other pulse rates
- Ex 2/22 (not for type of connection E, F, H, L, M, N)⁵⁾
- surface protection salt spray tested

Mounting accessory for hollow shaft encoders Order no.

Cylindrical pin, long		8.0010.4700.0000
for torque stops		

Isolation / adapter inserts for hollow shaft encoders order code 8.5020.X8XX.XXXX D1

Thermal and electrical isolation of the encoders (Temperature range -40 ... +115°C [-40°F ... +239°F])
Isolation inserts prevent currents from passing through the encoder bearings. These currents can occur when using inverter controlled three-phase or AC vector motors and considerably shorten the service life of the encoder bearings. In addition the encoder is thermally isolated as the plastic does not transfer the heat to the encoder.



Isolation insert		
	6 mm [0.24"]	8.0010.4021.0000
	8 mm [0.32"]	8.0010.4020.0000
	10 mm [0.39"]	8.0010.4023.0000
	12 mm [0.47"]	8.0010.4025.0000
	1/4"	8.0010.4022.0000
	3/8"	8.0010.4024.0000
	1/2"	8.0010.4026.0000

Further accessories can be found in the accessories section or in the accessories area of our website at: www.kuebler.com/accessories.

1) US version.
2) Attention: no CE types!

3) Only in conjunction with type of connection R.
4) Only in conjunction with output circuit 7.
5) For the cable connection type, cable material PUR.

Incremental encoders

Standard optical	Sendix 5000 / 5020 (shaft / hollow shaft)	Push-Pull / RS422 / Open collector
Connection technology		Order no.
Connector, self-assembly (straight)	M12 female connector with coupling nut	05.CMB 8181-0
	M23 female connector with coupling nut	8.0000.5012.0000
	MIL female connector with coupling nut, 10-pin	8.0000.5062.0000
Cordset, pre-assembled	M12 female connector with coupling nut, 2 m [6.56'] PVC cable	05.00.6041.8211.002M
	M23 female connector with coupling nut, 2 m [6.56'] PVC cabl	8.0000.6901.0002

Additional connectors can be found in the connection technology section or in the connection technology area of our website at: www.kuebler.com/connection_technology.

Technical data	
Mechanical characteristics	
Maximum speed	IP65 12000 min ⁻¹ 6000 min ⁻¹ (continuous) IP66/IP67 6000 min ⁻¹ 3000 min ⁻¹ (continuous)
Mass moment of inertia	shaft version approx. 1.8 x 10 ⁻⁶ kgm ² hollow shaft version approx. 6 x 10 ⁻⁶ kgm ²
Starting torque at 20°C [68°F]	IP65 < 0.01 Nm IP66/IP67 < 0.05 Nm
Shaft load capacity	radial 100 N axial 50 N
Weight	approx. 0.4 kg [14.11 oz]
Protection acc. to EN 60529	without shaft seal IP65 with shaft seal IP66/IP67
Working temperature range	-40°C ¹⁾ ... +85°C [-40°F ¹⁾ ... +185°F]
Material	shaft stainless steel
Shock resistance acc. to EN 60068-2-27	3000 m/s ² , 6 ms ²⁾
Vibration resistance acc. to EN 60068-2-6	300 m/s ² , 10 ... 2000 Hz ³⁾

Electrical characteristics						
Output circuit	RS422 (TTL compatible)	RS422 (TTL compatible)	Push-Pull	Push-Pull (7272 compatible)	Push-Pull (7272, without capacitor)	Open collector (7273)
Order code	1	4	5, 7	2	8	3
Power supply	5 ... 30 V DC	5 V DC (±5 %)	10 ... 30 V DC	5 ... 30 V DC	5 ... 30 V DC	5 ... 30 V DC
Power consumption (no load)	typ. 40 mA max. 90 mA	typ. 40 mA max. 90 mA	typ. 50 mA max. 100 mA	typ. 50 mA max. 100 mA	typ. 50 mA max. 100 mA	100 mA
Permissible load / channel	max. +/- 20 mA	max. +/- 20 mA	max. +/- 20 mA	max. +/- 20 mA	max. +/- 20 mA	+/- 20 mA sink at 30 V DC
Pulse frequency	max. 300 kHz	max. 300 kHz	max. 300 kHz	max. 300 kHz ⁴⁾	max. 300 kHz	max. 300 kHz
Signal level	HIGH min. 2.5 V LOW max. 0.5 V	min. 2.5 V max. 0.5 V	min +V - 1.0 V max. 0.5 V	min. +V - 2.0 V max. 0.5 V	min. +V - 2.0 V max. 0.5 V	min. +V - 2.0 V max. 0.5 V
Rising edge time t_r	max. 200 ns	max. 200 ns	max. 1 µs	max. 1 µs	max. 1 µs	max. 1 µs
Falling edge time t_f	max. 200 ns	max. 200 ns	max. 1 µs	max. 1 µs	max. 1 µs	max. 1 µs
Short circuit proof outputs ⁵⁾	yes ⁶⁾	yes ⁶⁾	yes	yes	yes ⁶⁾	yes
Reverse polarity protection of the power supply	yes	no	yes	no	no	no
UL approval	file 224618					
CE compliant acc. to	EMC guideline 2004/108/EC RoHS guideline 2011/65/EU					

1) With connector: -40°C [-40°F], cable fixed: -30°C [-22°F], cable moved: -20°C [-4°F].
 2) For MIL connectors: 2500 m/s²
 3) For MIL connectors: 100 m/s²
 4) Max. recommended cable length 30 m [98.43'].
 5) If power supply correctly applied.
 6) Only one channel allowed to be shorted-out:
 at +V= 5 V DC, short-circuit to channel, 0 V, or +V is permitted.
 at +V= 5 ... 30 V DC, short-circuit to channel or 0 V is permitted.

Incremental encoders

Standard optical	Sendix 5000 / 5020 (shaft / hollow shaft)	Push-Pull / RS422 / Open collector
-------------------------	--	---

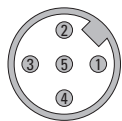
Terminal assignment

Output circuit	Type of connection	Cable (isolate unused wires individually before initial start-up)												
1, 2, 3, 4, 5, 8	5000: 1, 2, A, B	Signal:	0 V	+V	0 Vsens	+Vsens	A	\bar{A}	B	\bar{B}	0	$\bar{0}$	\perp	
	5020: 1, A, E, F	Cable colour:	WH	BN	GY PK	RD BU	GN	YE	GY	PK	BU	RD	shield	
1, 2, 3, 4, 7, 8	5000: P, R 5020: R	M12 connector, 5-pin												
		Signal:	0 V	+V	A	B	0	\perp						
		Pin:	1	2	3	4	5	PH ¹⁾						
1, 2, 3, 4, 5, 8	5000: 3, 4, L 5020: 2, H ²⁾ , L	M12 connector, 8-pin												
		Signal:	0 V	+V	A	\bar{A}	B	\bar{B}	0	$\bar{0}$	\perp			
		Pin:	1	2	3	4	5	6	7	8	PH ¹⁾			
1, 2, 3, 4, 5, 8	5000: 7, 8, M 5020: 4, M	M23 connector, 12-pin												
		Signal:	0 V	+V	0 Vsens	+Vsens	A	\bar{A}	B	\bar{B}	0	$\bar{0}$	\perp	
		Pin:	10	12	11	2	5	6	8	1	3	4	PH ¹⁾	
1, 2, 3, 4, 5, 8	5000: Y 5020: 7	MIL connector, 10-pin												
		Signal:	0 V	+V	+Vsens	A	\bar{A}	B	\bar{B}	0	$\bar{0}$	\perp		
		Pin:	F	D	E	A	G	B	H	C	I	J		
1, 3, 4, 7, 8	5000: W 5020: 6	MIL connector, 7-pin												
		Signal:	0 V	+V	+Vsens	A	B	0	\perp					
		Pin:	F	D	E	A	B	C	G					
1, 3, 4, 7, 8	5000: 9	MIL connector, 6-pin												
		Signal:	0 V	+V	A	B	0	\perp						
		Pin:	A	B	E	D	C							
1, 2, 3, 4, 5, 8	5000: N 5020: N	Sub-D connector, 9-pin												
		Signal:	0 V	+V	A	\bar{A}	B	\bar{B}	0	$\bar{0}$	\perp			
		Pin:	9	5	1	6	2	7	3	8	PH ¹⁾			

+V: Encoder power supply +V DC
 0 V: Encoder power supply ground GND (0 V)
 0 Vsens / +Vsens: Using the sensor outputs of the encoder, the voltage present can be measured and if necessary increased accordingly.

A, \bar{A} : Incremental output channel A
 B, \bar{B} : Incremental output channel B
 0, $\bar{0}$: Reference signal
 PH \perp : Plug connector housing (shield)

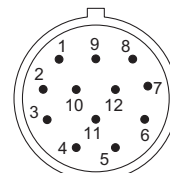
Top view of mating side, male contact base



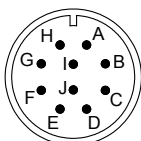
M12 connector, 5-pin



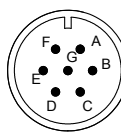
M12 connector, 8-pin



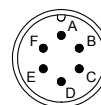
M23 connector, 12-pin



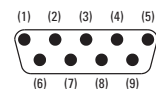
MIL connector, 10-pin



MIL connector, 7-pin



MIL connector, 6-pin



Sub-D connector, 9-pin

1) PH = shield is attached to connector housing.
 2) With type of connection H shield is not attached to connector housing.

Incremental encoders

Standard optical

Sendix 5000 / 5020 (shaft / hollow shaft)

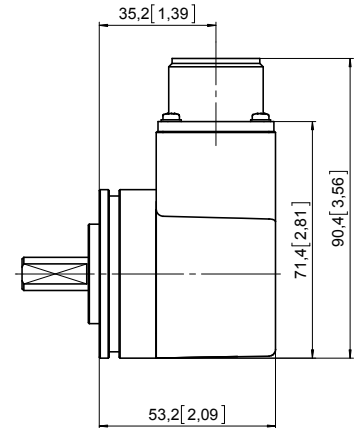
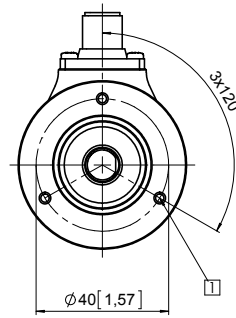
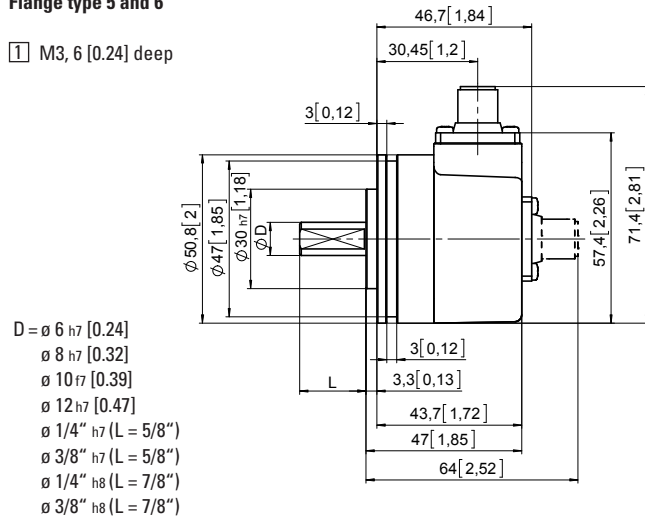
Push-Pull / RS422 / Open collector

Dimensions shaft version

Dimensions in mm [inch]

Synchro flange, $\varnothing 50.8$ [2] Flange type 5 and 6

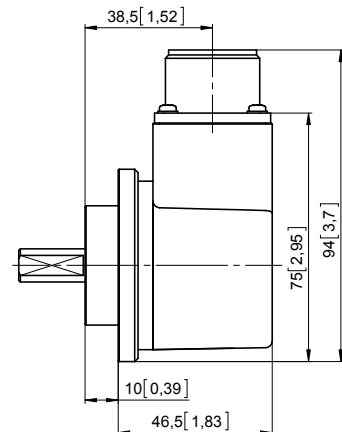
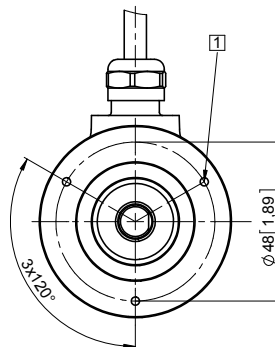
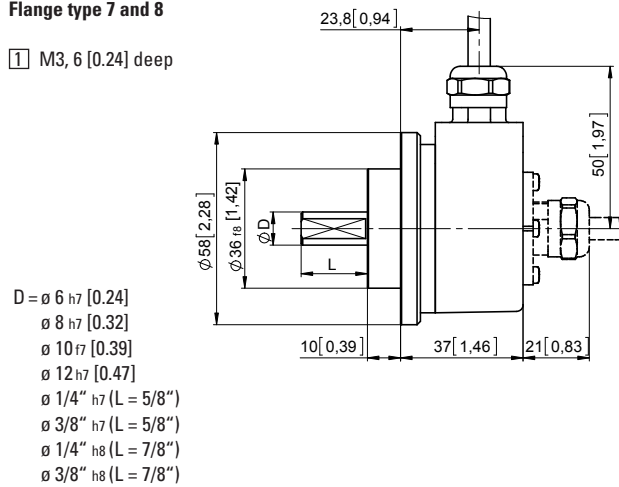
1 M3, 6 [0.24] deep



MIL-connector version

Clamping flange, $\varnothing 58$ [2.28] Flange type 7 and 8

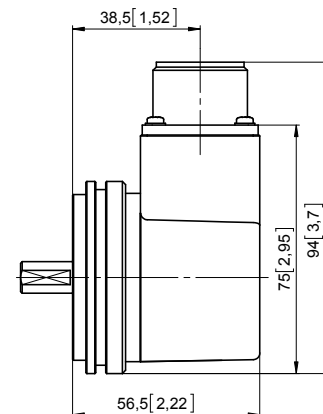
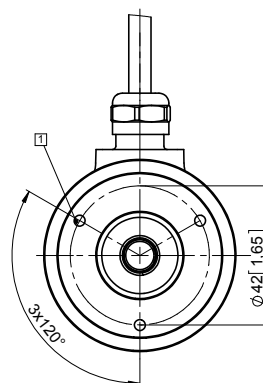
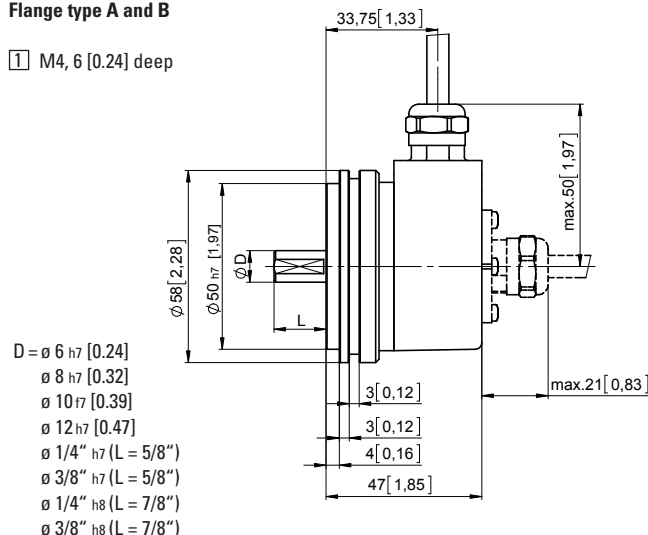
1 M3, 6 [0.24] deep



MIL-connector version

Synchro flange, $\varnothing 58$ [2.28] Flange type A and B

1 M4, 6 [0.24] deep



MIL-connector version

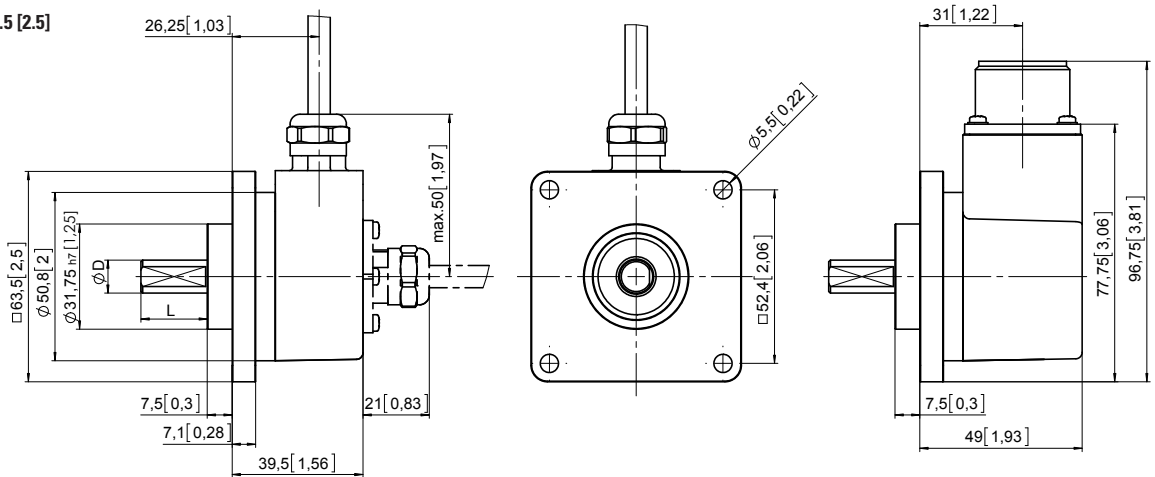
Incremental encoders

Standard optical	Sendix 5000 / 5020 (shaft / hollow shaft)	Push-Pull / RS422 / Open collector
-------------------------	--	---

Dimensions shaft version

Dimensions in mm [inch]

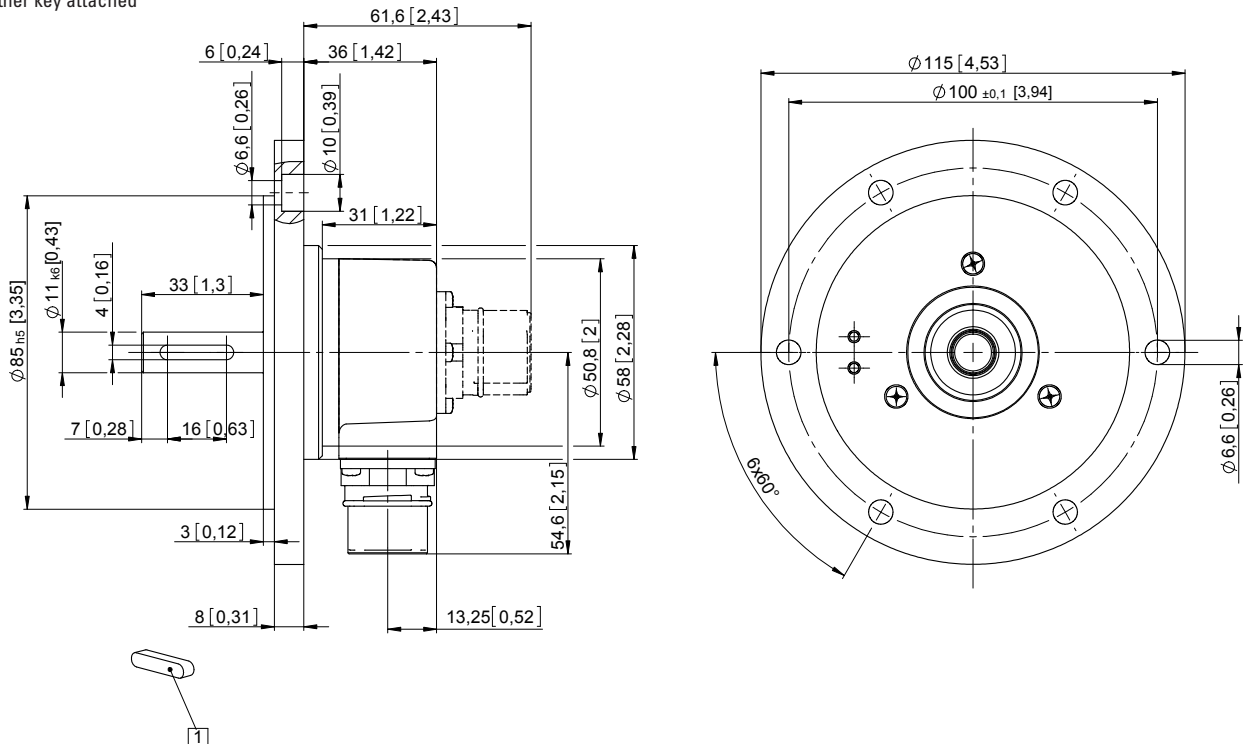
Square flange, □ 63.5 [2.5]
Flange type C and D



MIL-connector version

Euro flange, $\varnothing 115$ [4.53]
Flange type G

1 Feather key attached



Incremental encoders

Standard optical

Sendix 5000 / 5020 (shaft / hollow shaft)

Push-Pull / RS422 / Open collector

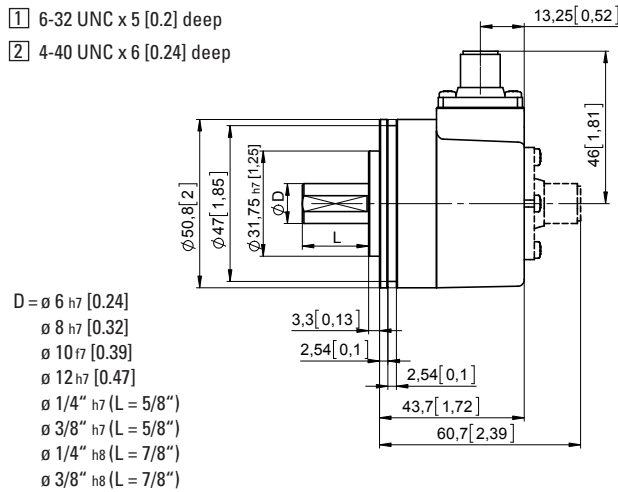
Dimensions shaft version

Dimensions in mm [inch]

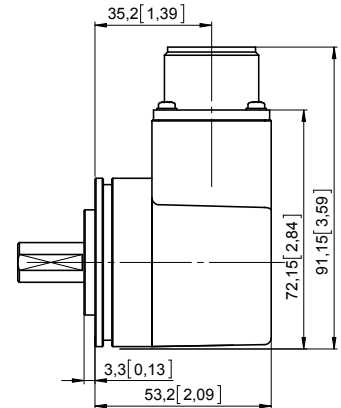
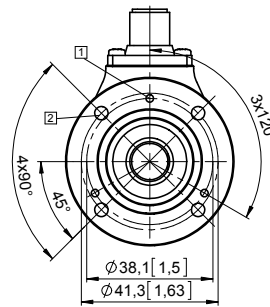
Servo flange, \varnothing 50.8 [2]

Flange type 1 and 2

- 1 6-32 UNC x 5 [0.2] deep
- 2 4-40 UNC x 6 [0.24] deep



- D = \varnothing 6 h7 [0.24]
- \varnothing 8 h7 [0.32]
- \varnothing 10 f7 [0.39]
- \varnothing 12 h7 [0.47]
- \varnothing 1/4" h7 (L = 5/8")
- \varnothing 3/8" h7 (L = 5/8")
- \varnothing 1/4" h8 (L = 7/8")
- \varnothing 3/8" h8 (L = 7/8")

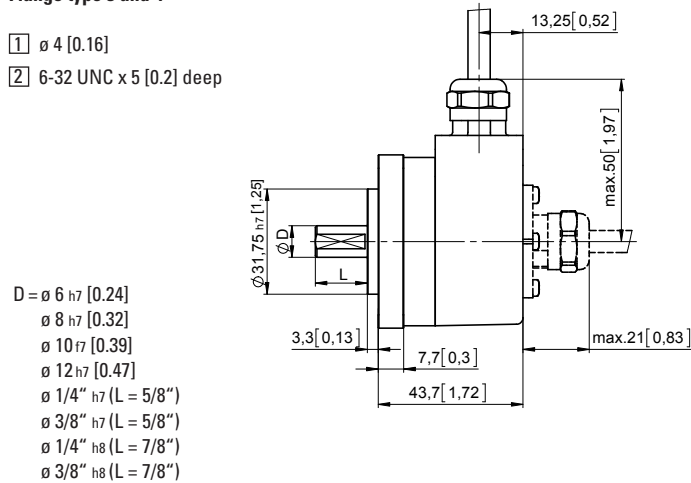


MIL-connector version

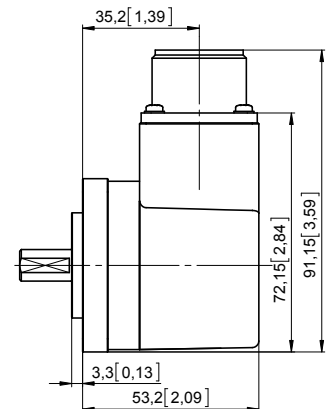
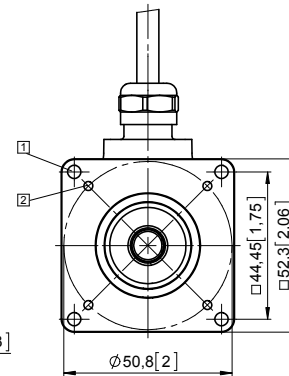
Square flange, \square 52.3 [2.06]

Flange type 3 and 4

- 1 \varnothing 4 [0.16]
- 2 6-32 UNC x 5 [0.2] deep



- D = \varnothing 6 h7 [0.24]
- \varnothing 8 h7 [0.32]
- \varnothing 10 f7 [0.39]
- \varnothing 12 h7 [0.47]
- \varnothing 1/4" h7 (L = 5/8")
- \varnothing 3/8" h7 (L = 5/8")
- \varnothing 1/4" h8 (L = 7/8")
- \varnothing 3/8" h8 (L = 7/8")

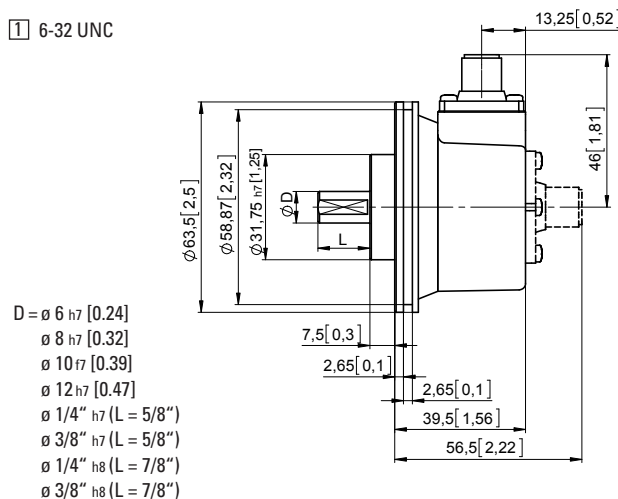


MIL-connector version

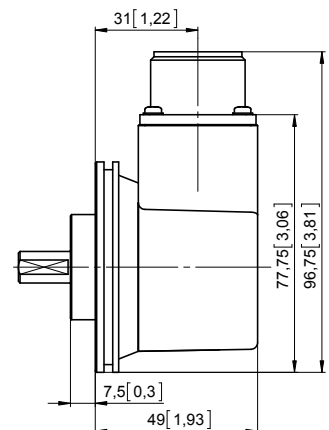
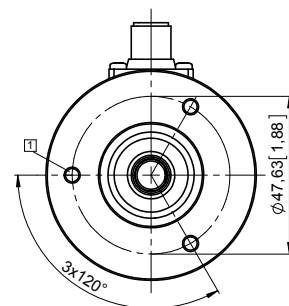
Servo flange, \varnothing 63.5 [2.5]

Flange type E and F

- 1 6-32 UNC



- D = \varnothing 6 h7 [0.24]
- \varnothing 8 h7 [0.32]
- \varnothing 10 f7 [0.39]
- \varnothing 12 h7 [0.47]
- \varnothing 1/4" h7 (L = 5/8")
- \varnothing 3/8" h7 (L = 5/8")
- \varnothing 1/4" h8 (L = 7/8")
- \varnothing 3/8" h8 (L = 7/8")



MIL-connector version

Incremental encoders

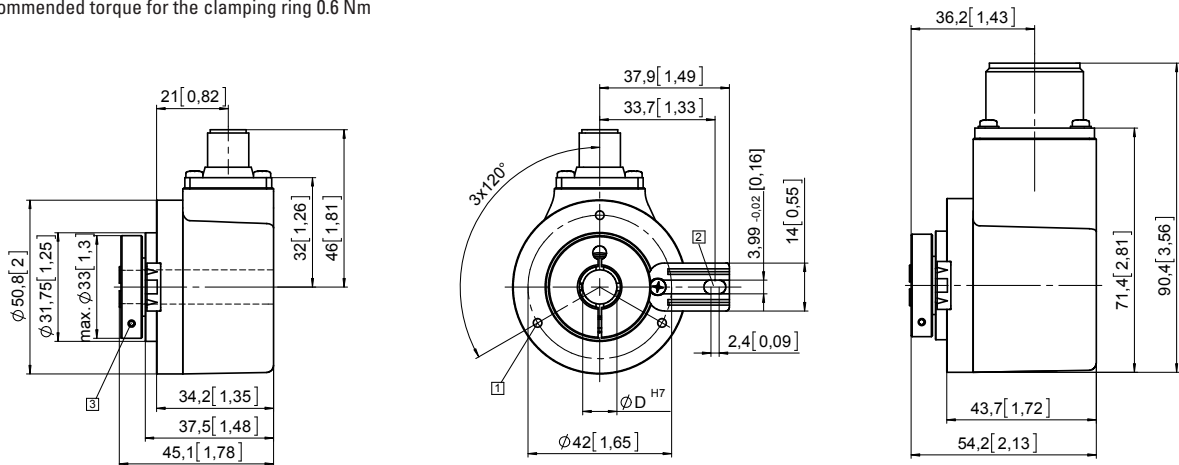
Standard optical	Sendix 5000 / 5020 (shaft / hollow shaft)	Push-Pull / RS422 / Open collector
-------------------------	--	---

Dimensions hollow shaft version

Dimensions in mm [inch]

Flange with spring element, long Flange type 1 and 2

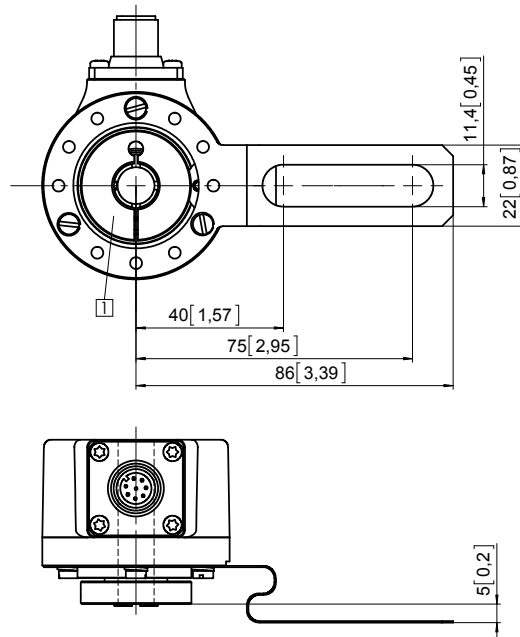
- 1 M3, 6 [0.24] deep
- 2 Torque stop slot, recommendation: cylindrical pin DIN7, 4 [0.16]
- 3 Recommended torque for the clamping ring 0.6 Nm



MIL-connector version

Flange with fastening arm, long Flange type 3 and 4

- 1 Recommended torque for the clamping ring 0.6 Nm



Incremental encoders

Standard optical

Sendix 5000 / 5020 (shaft / hollow shaft)

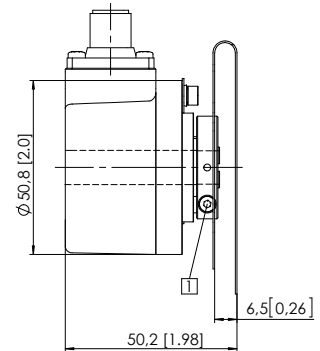
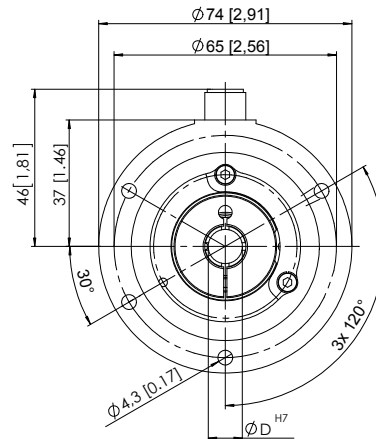
Push-Pull / RS422 / Open collector

Dimensions hollow shaft version

Dimensions in mm [inch]

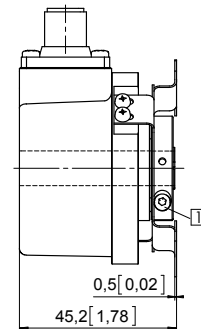
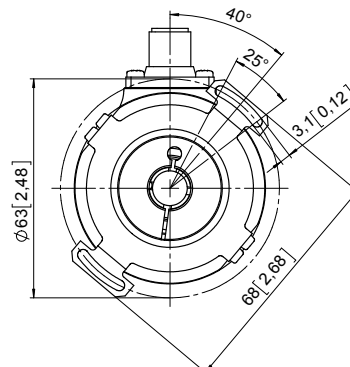
Flange with stator coupling, \varnothing 65 [2.56]
Flange type 7 and 8

1 Recommended torque for the clamping ring 0.6 Nm



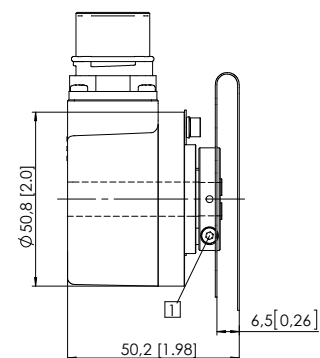
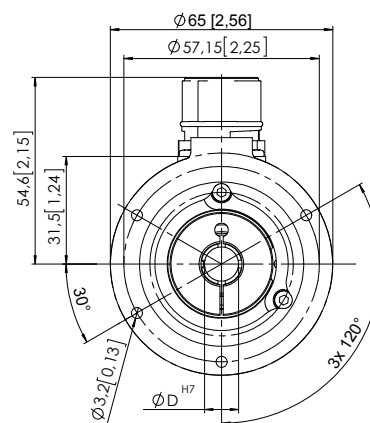
Flange with stator coupling, \varnothing 63 [2.48]
Flange type C and D

1 Recommended torque for the clamping ring 0.6 Nm



Flange with stator coupling, \varnothing 57.2 [2.25]
Flange type 5 and 6

1 Recommended torque for the clamping ring 0.6 Nm



Incremental encoders

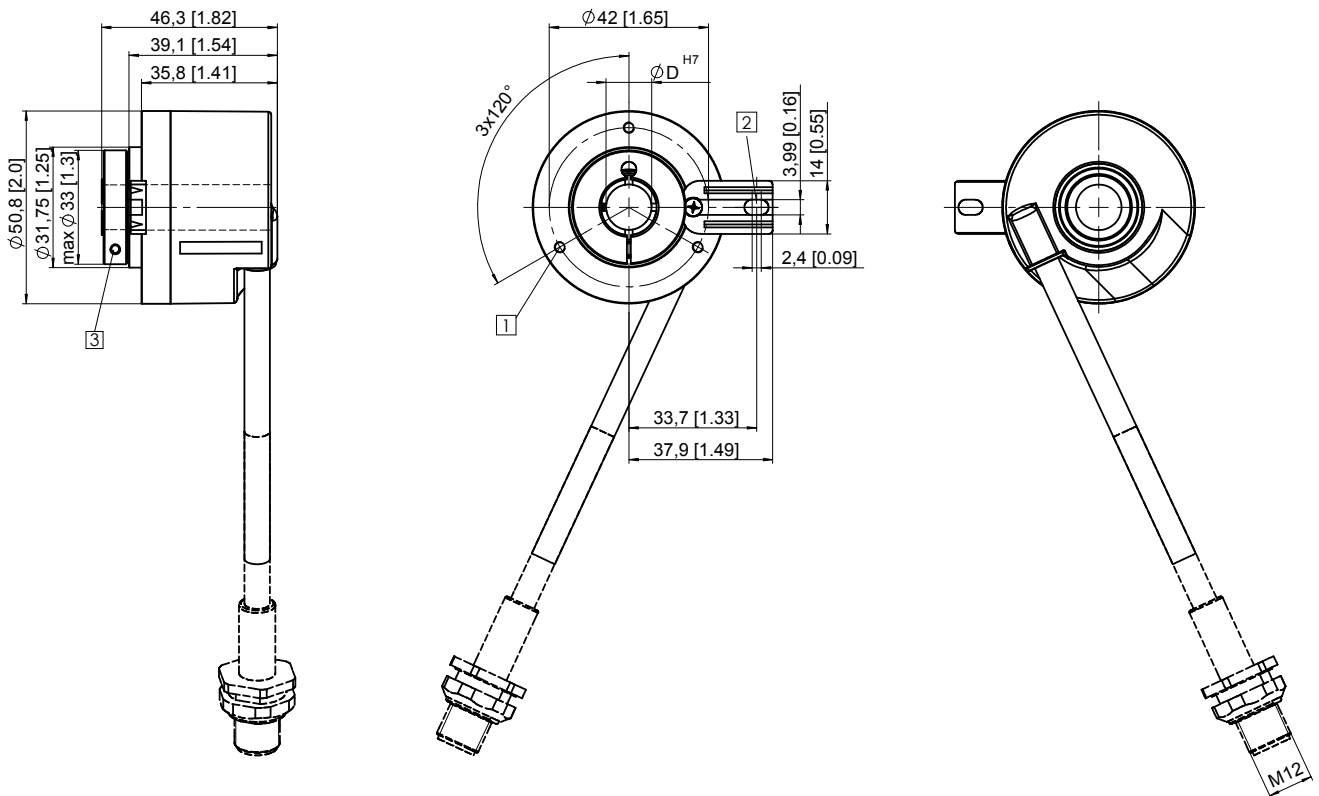
Standard optical	Sendix 5000 / 5020 (shaft / hollow shaft)	Push-Pull / RS422 / Open collector
-------------------------	--	---

Dimensions hollow shaft version

Dimensions in mm [inch]

Flange with spring element, long and tangential cable outlet
Type of connection E, F and H

- 1 M3, 6 [0.24] deep
- 2 Torque stop slot, recommendation: cylindrical pin DIN7, 4 [0.16]
- 3 Recommended torque for the clamping ring 0.6 Nm



Incremental encoders

Exclusive distributor

MULTIPROX N.V. – Lion d’Orweg 12 – B-9300 Aalst – T 053 766 566 – F 053 78 39 77 – mail@multiprox.be – www.multiprox.be