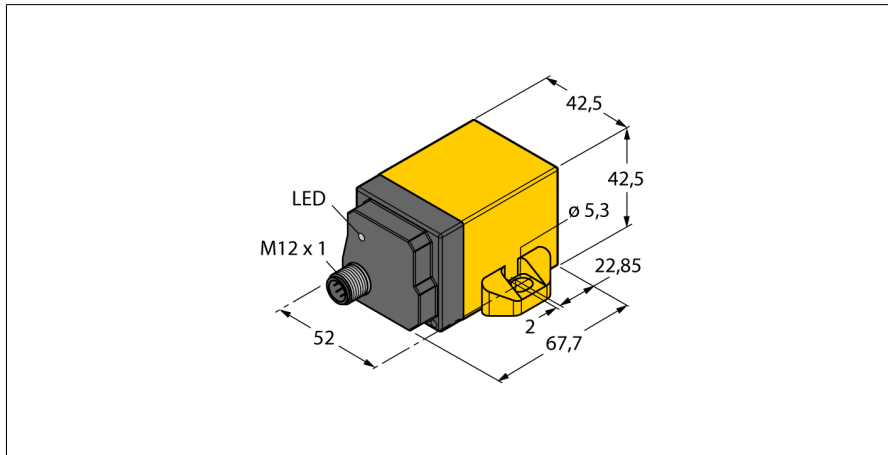


Inclinometer

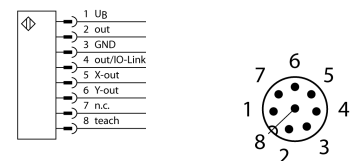
B2N360-Q42-E2LIUPN8X2-H1181



- Rectangular, plastic, PA12-GF30
- Status display via LEDs
- Parameterizable filter functions for different applications
- Parameterizable via teach pin
- Acceleration function $\pm 2\text{ g}$, measuring range parameterizable
- 15...30 VDC
- Analog output
- Programmable current and voltage output functions
- Factory setting 4...20 mA
- All functions programmable via IO-Link/ PACTware
- Programmable NC/NO switch functions, available as NPN or PNP version
- Process value for x and y-axis in the 16-bit IO-Link telegram
- M12 \times 1 connector, 8-pin
- Adapter cable RKC8.301T-1.5-RSC4T/ TXL320 required for IO-Link communication

Type	B2N360-Q42-E2LIUPN8X2-H1181
ID	1534116
Measuring principle	Acceleration
General data	
Resolution	16 bit
Measuring range	0...360°
Measuring range x-axis	0...360°
Measuring range y-axis	0...360°
Number of measuring axes	2
Repeat accuracy	$\leq 0.07\%$ of full scale depending on the filter setting
Linearity deviation	$\leq 0.3\%$ of full scale, applies in the functional area of upper or lower hemisphere
Temperature drift	$\leq \pm 0.015\%/K$
Electrical data	
Operating voltage	15...30 VDC
Residual ripple	$\leq 10\% U_{ss}$
DC rated operational current	$\leq 150\text{ mA}$
Isolation test voltage	$\leq 0.5\text{ kV}$
Short-circuit protection	yes
Wire breakage/Reverse polarity protection	yes/ Complete
Communication protocol	IO-Link
Output function	8-pin, NO/NC, PNP/NPN, analog output
Voltage output	0...10 V
Current output	0...20 mA programmable via IO-Link, e.g. 4...20 mA
Load resistance voltage output	$\geq 4.7\text{ k}\Omega$
Load resistance current output	$\leq 0.4\text{ k}\Omega$
Sample rate	500 Hz
Current consumption	$< 60\text{ mA}$ at 24 VDC
IO-Link specification	
IO-Link specification	V 1.1
Programming	FDT/DTM
Frame type	2.2
Included in the SIDI GSDML	Yes

Wiring Diagram



Functional principle

The TURCK inclinometers incorporate a micro-mechanical pendulum, operating on the principle of MEMS technology (Mikro Elektro Mechanic Systems).

The pendulum basically consists of two 'plate' electrodes arranged in parallel with a dielectric placed in the middle. When the sensor is inclined, the dielectric in the middle moves, causing the capacitance ratio between both electrodes to change.

The downstream electronics evaluates this change in capacitance and generates a corresponding output signal.

Mechanical data	
Design	Rectangular, Q42
Dimensions	67.7 x 42.5 x 42.5 mm
Housing material	Plastic, PA12-GF30
Electrical connection	Connector, M12 × 1
Environmental conditions	
Ambient temperature	-25...+85 °C
	Acc. to UL approval to +70 °C
Vibration resistance	55 Hz (1 mm)
Shock resistance	30 g (11 ms)
Protection class	IP68
	IP69K
MTTF	159 years acc. to SN 29500 (Ed. 99) 40 °C
Power-on indication	
	LED, Green
Switching state	
	LED, Yellow

Programming instructions

Parameter	Teach input	LED indication
Zero point offset (see notes)	Bridge Pin 3 (GND) and Pin 8 for 5 s	Status LED (yellow) flashes, after 1 s steady, after 3 s flashes, after 5 s steady
Measuring range start, X-axis (see notes)	Bridge Pin 1 (U _a) and Pin 8 for 1 s	Status LED (green) flashes, after 1 s steady
Measuring range end, X-axis (see notes)	Bridge Pin 1 (U _a) and Pin 8 for 3 s	Status LED (green) flashes, after 1 s steady, after 3 s flashes
Measuring range start, Y-axis (see notes)	Bridge Pin 3 (GND) and Pin 8 for 1 s	Status LED (yellow) flashes, after 1 s steady
Measuring range end, Y-axis (see notes)	Bridge Pin 3 (GND) and Pin 8 for 3 s	Status LED (yellow) flashes, after 1 s steady, after 3 s flashes
Pre-set mode Angle	Bridge Pin 1 (U _a) and Pin 8 for 10 s You must set a further teach input within 10 s or the device will automatically exit this mode	Status LED (green) flashes, after 10 s steady
-10° ... +10°	Bridge Pin 3 (GND) and Pin 8 once briefly	LED (yellow) flashes once
-45° ... +45°	Bridge Pin 3 (GND) and Pin 8 twice briefly	LED (yellow) flashes twice
-60° ... +60°	Bridge Pin 3 (GND) and Pin 8 three times briefly	LED (yellow) flashes three times
-85° ... +85°	Bridge Pin 3 (GND) and Pin 8 four times briefly	LED (yellow) flashes four times
Pre-set mode Function	Bridge Pin 1 (U _a) and Pin 8 for 10 s You must set a further teach input within 10 s or the device will automatically exit this mode	Status LED (green) steady, after 10 s flashes
Mode 1 "Upper hemisphere," default setting	Bridge Pin 1 (U _a) and Pin 8 once briefly	LED (green) flashes once
Mode 2 "Lower hemisphere"	Bridge Pin 1 (U _a) and Pin 8 twice briefly	LED (green) flashes twice
Mode 3, 2 x 360°	Bridge Pin 1 (U _a) and Pin 8 three times briefly	LED (green) flashes three times
Mode 4, X: 0...360°, Y: off	Bridge Pin 1 (U _a) and Pin 8 four times briefly	LED (green) flashes four times
Mode 5, Y: 0...360°, X: off	Bridge Pin 1 (U _a) and Pin 8 five times briefly	LED (green) flashes five times
Filter setting mode	Bridge Pin 3 (GND) and Pin 8 for 10 s You must set a further teach input within 10 s or the device will automatically exit this mode	Status LED (yellow) steady, after 10 s flashes
24 Hz, default setting	Bridge Pin 3 (GND) and Pin 8 once briefly	LED (yellow) flashes once
15 Hz	Bridge Pin 3 (GND) and Pin 8 twice briefly	LED (yellow) flashes twice
Most effective filter setting	Bridge Pin 3 (GND) and Pin 8 three times briefly	LED (yellow) flashes three times
Factory setting	Bridge Pin 3 (GND) or Pin 1 (UB) and Pin 8 for 15 s	LED flashes fast after 15 s

Note:

Please note that with changing the zero point you also change the start and end point of the measuring range accordingly. For the "Upper hemisphere" and "Lower hemisphere" functions, a zero offset may not be possible because the offset would cause the measuring range to be partially outside the defined range of 0°...±90° or 90...270°. This must also be observed when programming the start and end point.

Function accessories

Type code	Ident no.		Dimension drawing
TX3-Q20L60	6967118	Teach adapter for 8-pin sensors	
USB-2-IOL-0002	6825482	IO-Link Master with integrated USB port	