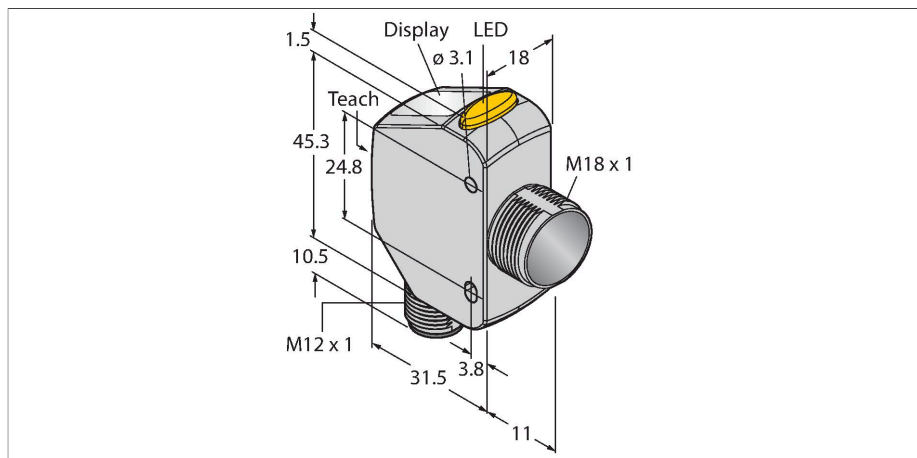


# Q4XTKLAF600-Q8

## Photoelectric Sensor – Laser Distance Sensor (Triangulation)



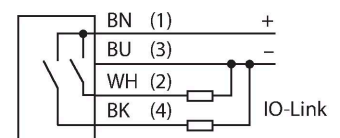
### Technical data

Type	Q4XTKLAF600-Q8
ID	3801918
<b>Optical data</b>	
Function	Proximity switch
Operating mode	Background/foreground suppression
Light type	Red
Wavelength	655 nm
Laser class	▲ 1
Optical resolution	1 mm
Repeatability	0.5 mm
Range	25...600 mm
Ambient light immunity	5000 lux
<b>Electrical data</b>	
Operating voltage	10...30 VDC
DC rated operational current	≤ 28 mA
Short-circuit protection	yes
Reverse polarity protection	yes
Communication protocol	IO-Link
Output function	NO/NC, PNP
Output 2	Switching output or frequency output
Readiness delay	≤ 1500 ms
Response time typical	< 2 ms
<b>IO-Link</b>	
IO-Link specification	V 1.1
IO-Link port type	Class A
Communication mode	COM 2 (38.4 kBaud)
Process data width	16 bit

### Features

- 4-digit 7-segment LED display
- 3 buttons
- Output indicator (yellow)
- IP67/69K
- ECOLAB-certified
- Range: 25...600 mm
- Laser class 1, red, 655 nm, acc. to IEC 60825-1:2014
- Operating voltage: 12...30 VDC
- Output 1: PNP switching output with IO-Link communication
- Output 2: PNP switching output, teach-in input, laser control, synchronization or pulse frequency modulation (PFM)
- Rectangular model with offset M18 thread
- Stainless steel case (1.4404 )
- Transmission of process value and parameterization via IO-link

### Wiring diagram



### Functional principle

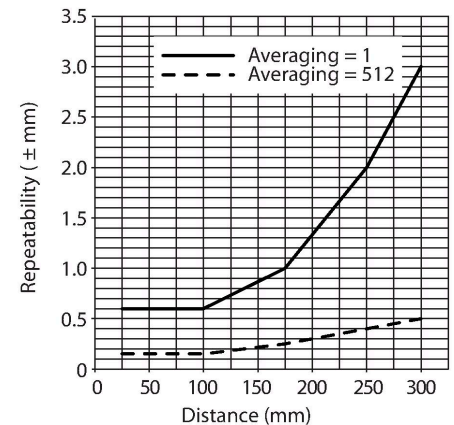
The Q4X is a laser-distance sensor working on the principle of laser triangulation. It has a range of 600 mm, a PNP switching output and IO-Link laser class 1. With the dual mode functionality, the Q4X captures not only distances but also the light intensity that is reflected by an object. This unique feature allows lasers to be used for applications that would have been inconceivable before this. In RUN mode, you can change the switchpoint, adjust light and dark-switching

## Technical data

Frame type	Type_2_2
Minimum cycle time	2 ms
Function Pin 4	IO-Link
Function Pin 2	DI
Maximum cable length	20 m
Profile support	Smart Sensor Profil
Included in the SIDI GSDML	Yes
<b>Mechanical data</b>	
Design	Rectangular with thread, Q4X
Dimensions	43.5 x 18 x 57.5 mm
Housing material	Metal, Stainless steel
Lens	acrylic, PMMA
Electrical connection	Connector, M12 x 1, PVC
Number of cores	4
Ambient temperature	-10...+50 °C
Storage temperature	-25...+75 °C
Relative humidity	35...95 %
Protection class	IP67 IP68 IP69
Special features	Chemical-resistant Clear object detection keep/defer Wash down Resistant to chemicals
Switching state	LED, Yellow
Display	4-digit 7-segment LED display
<b>Tests/approvals</b>	
Vibration resistance	MIL-STD-202G, Method 201A (10 to 60 Hz, 1.52 mm peak to peak amplitude, for 2 hours along the x, y and z-axis), sensor operating
Shock test	MIL-STD-202G, Method 213B Condition I (100G 6x along the XYZ-axis, 18 impacts), sensor in operation
Approvals	CE, cULus, ECOLAB

and teach the sensor accordingly. Another advantage is the setup mode. You can select teach, all standard operating parameters and also return to the factory defaults.

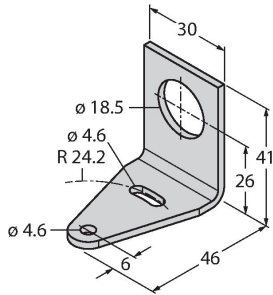
## Excess Gain Curve



## Accessories

SMB18A

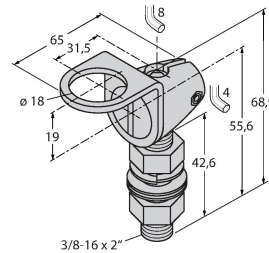
3033200



Mounting bracket, rectangular, stainless steel, for sensors with 18 mm thread

SMB18FAM10

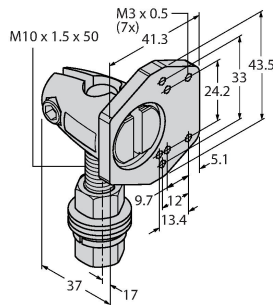
3011184



Mounting bracket, material VA 1.4401, for M10 x 1.5 thread, thread length 18 mm

SMBQ4XFAM10

3091513



Mounting bracket, rotatable, stainless steel, for sensors of the Q4X/Q3X series, M10 x 1.5 thread

## Accessories

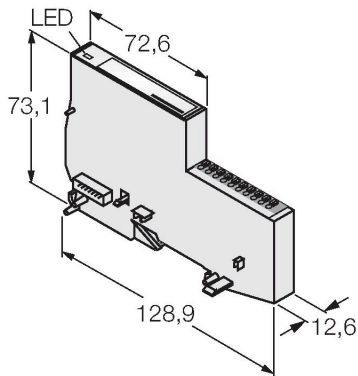
Dimension drawing	Type	ID	
	RKC4.5T-2/TEL	6625016	Connection cable, female M12, straight, 5-pin, cable length: 2 m, sheath material: PVC, black; cULus approval; other cable lengths and qualities available, see <a href="http://www.turck.com">www.turck.com</a>
	RKH4.5-2/TFG	6933455	Connection cable, M12 female, straight, 5-pin, stainless steel coupling nut, cable length: 2 m, jacket material: TPE, gray, temperature range -40...+105 °C; other cable lengths and designs available, see <a href="http://www.turck.com">www.turck.com</a>
	RKS4.5T-2/TEL	6626361	Connection cable, M12 female connector, straight, 5-pin, cable length: 2 m, sheath material: PVC, black; shielded; cULus approval; other cable lengths and qualities available, see <a href="http://www.turck.com">www.turck.com</a>
	WKS4.5T-2/TEL	6626364	Connection cable, M12 female connector, angled, 5-pin, cable length: 2 m, sheath material: PVC, black; shielded; cULus approval; other cable lengths and qualities available, see <a href="http://www.turck.com">www.turck.com</a>

Dimension drawing	Type	ID	
	RKC4.4T-2/TEL	6625013	Connection cable, female M12, straight, 4-pin, cable length: 2 m, sheath material: PVC, black; cULus approval; other cable lengths and qualities available, see <a href="http://www.turck.com">www.turck.com</a>
	WKC4.4T-2/TEL	6625025	Connection cable, female M12, angled, 4-pin, cable length: 2 m, sheath material: PVC, black; cULus approval; other cable lengths and qualities available, see <a href="http://www.turck.com">www.turck.com</a>

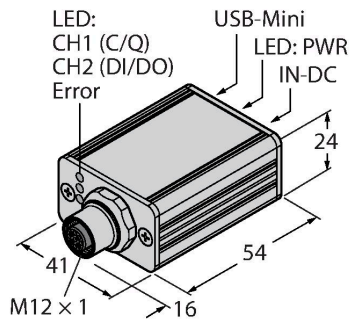
## Accessories

Dimension drawing	Type	ID	
	TBEN-S2-4IOL	6814024	Compact multiprotocol I/O module, 4 IO-Link Master 1.1 Class A, 4 universal PNP digital channels 0.5 A
	TBEN-L4-8IOL	6814082	Compact multiprotocol I/O module, 4 IO-Link Master 1.1 Class A, 4 universal PNP digital channels 0.5 A
	TBIL-M1-16DXP	6814102	16-channel I/O-hub for the connection of 16 digital PNP signals to an IO-Link master (input/output freely selectable per channel)
	BL67-4IOL	6827386	4-channel IO-Link Master module for the modular BL67 I/O-system

Dimension drawing	Type	ID	
	BL20-E-4IOL	6827385	IO-Link master module for the modular BL20 I/O system, 4-channel



USB-2-IOL-0002	6825482	IO-Link Master with integrated USB port
----------------	---------	---



BRT-Q4X-60X18	3095776	Reflector for Q4X laser sensors for clear object detection or dual-mode applications, rectangular housing: 60 mm x 18 mm
---------------	---------	--

