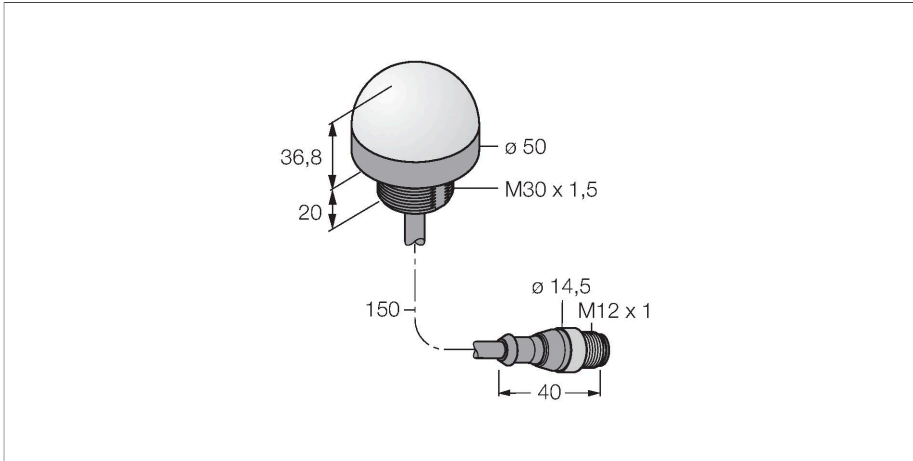


K50L2RGBKQP

LED Indicator – Beacon



Features

- LED all-round visible
- Individually controllable
- Screw-in thread M30x1.5
- Protection class IP67
- Up to 12 predefined colors or millions of customized colors can be displayed
- Flashing function, alternation, two-colored displays and intensity check
- Cable with male end M12 x 1
- Operating voltage 18...30 VDC

Wiring diagram



Functional principle

These indicator lights have RGB LEDs. Using IO-Link, 1 of up to 12 predefined colors can be activated or 1 of up to 1,000,000 desired colors can be set using X and Y coordinates. The functions include a flashing function, intensity check and animations such as rotation, alternation and 2-colored displays. The major advantage of these LEDs is the color fidelity and luminance. Compared to their predecessors, a large number of variants can be produced with just a single light.

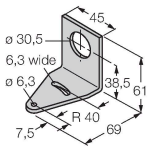
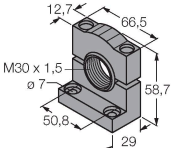
Technical data

Type	K50L2RGBKQP
ID	3802159
Signal and display data	
Purpose	LED indicator light
Function	Spotlight
Light type	RGB
Dimmable	Programmable
Features of color 1	RGB, Can be set via IO-Link
Special features	Wash down
Electrical data	
Max. current consumption per color	150 mA
Communication protocol	IO-Link
Input type	Communication protocol
Response time typical	< 30 ms
IO-Link	
IO-Link specification	V 1.1
Communication mode	COM 2 (38.4 kBaud)
Process data width	16 bit
Frame type	Type_2_2
Function pin 4	IO-Link
Maximum cable length	20 m
Included in the SIDI GSDML	Yes
Mechanical data	
Cascadable	No
Design	Dome, K50L
Dimensions	Ø 50 x 58 mm


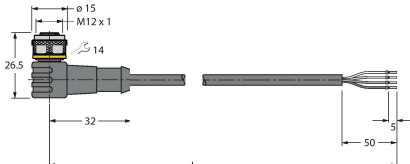
Technical data

Housing material	Plastic, PC, Black
Window material	Polycarbonate, diffuse
Electrical connection	Cable with connector, M12 × 1, 0.15 m, PVC
Number of cores	4
Ambient temperature	-40...+50 °C
Relative humidity	0...90 %
Protection class	IP66 IP67 IP69
Tests/approvals	
MTTF	249 years acc. to SN 29500 (Ed. 99) 40 °C
Approvals	CE, UL listed

Accessories

SMB30A	3032723	SMB30SC	3052521
 <p>Mounting bracket, rectangular, stainless steel, for sensors with 30mm thread</p>		 <p>Mounting bracket, PBT black, for sensors with 30 mm thread, rotatable</p>	

Accessories

Dimension drawing	Type	ID	
	RKC4.4T-2/TEL	6625013	Connection cable, M12 female connector, straight, 4-pin, cable length: 2 m, jacket material: PVC, black; cULus approval
	WKC4.4T-2/TEL	6625025	Connection cable, M12 female connector, angled, 4-pin, cable length: 2 m, jacket material: PVC, black; cULus approval

Dimension drawing	Type	ID	
	RKC4.5T-2/TEL	6625016	Connection cable, M12 female connector, straight, 5-pin, cable length: 2 m, jacket material: PVC, black; cULus approval
	WKC4.5T-2/TEL	6625028	Connection cable, M12 female connector, angled, 5-pin, cable length: 2 m, jacket material: PVC, black; cULus approval