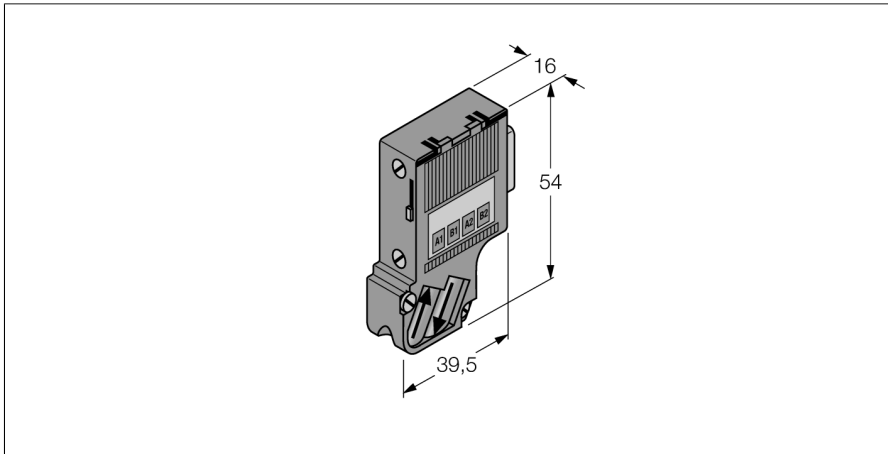


# excom I/O System

## RS485-IS Male, PROFIBUS

### D9T-RS485IS /6ES7972-0DA60-0XA0



- Sub-D FastConnect with 125° cable outlet, for connection of segment coupler to the RS485-IS layer
- Connector must be connected to an intrinsically safe RS485-IS connection of a segment coupler such as SC11Ex-3G or OC11Ex/2G.2.

Type	D9T-RS485IS /6ES7972-0DA60-0XA0
ID	6890944
<b>Ex approval acc. to conformity certificate</b>	
Ex approval acc. to conformity certificate	KEMA 04 ATEX 1233
Device designation	Ex II 2 G Ex ib IIC T4
Device marking	Ex
<b>Displays/Operating elements</b>	
Protection class	IP20
Dimensions	16 x 54 x 39.5 mm
<b>Approvals</b>	
Approvals	ATEX