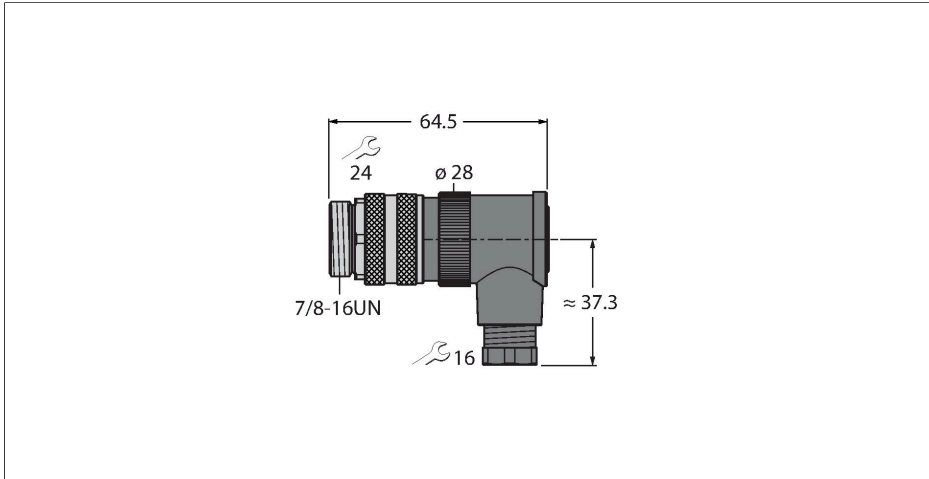


BS4241-0/9

Accessories for Fieldbus Systems

Male Connector, 7/8", Angled



Features



- Screw-clamp terminal
- Metal coupling nut
- UL approval
- 4-pin
- PG9 screw-in thread
- Cable feedthrough 6.0...8.0 mm

Contact assignment



Technical data

Type	BS4241-0/9
ID	6901020
Connector A	Male, 7/8"-16 UN, Angled
Number of Pins	5
Contacts	Metal, CuZn, Gold-plated
Contact carriers	Plastic, PA 66 (UL 94 HB), Black
Connector body	Plastic, PBT(UL 94 V0), Black
Coupling nut/screw	Die-cast Zinc, GD-Zn, Nickel-plated
Seal	Plastic, NBR
Screw-in thread seal	plastic, NBR
Screw-in thread	PG9
External diameter of the cable	6...8 mm
Core cross-section/Clamping ability	0.14...1.5 mm ²
Connection mode	Screw/clamp connection
Mechanical lifespan	> 50 Mating cycles
Pollution degree	3
Protection class	IP67
Electrical properties at +20 °C	
Rated voltage	600 V
Current	9 A
forward resistance	≤ 3 mΩ
Mechanical and chemical properties	
Ambient temperature range (stationary)	-25...+85 °C
Ambient temperature range (In motion)	-25...+85 °C

Technical data

Approvals

cULus recognized
