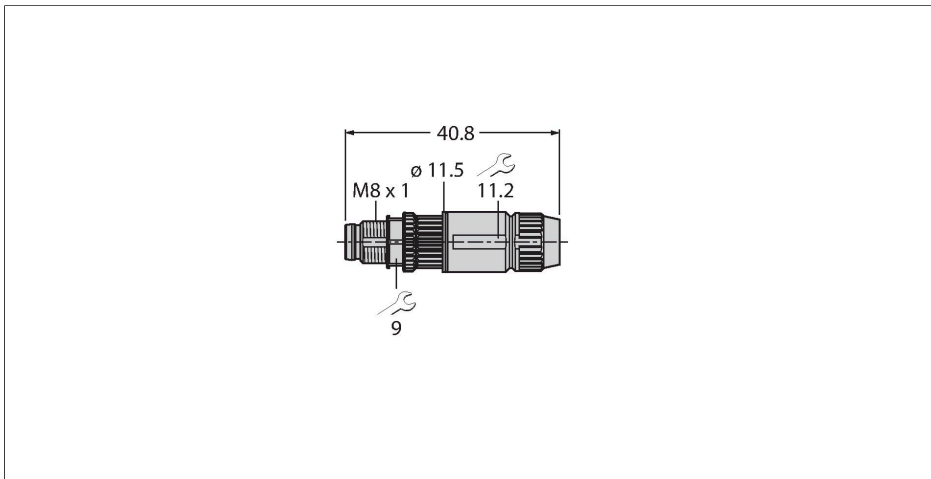


# HAS5141-0

## Field-Wireable Connector

### Male Connector M8 × 1/Ø 8 mm, Straight



### Features



- Metal coupling nut
- Protection class IP67
- IDC quick connection
- 4-pin
- Cable feedthrough 2.5...5.1 mm

### Contact assignment



### Technical data

|   |                                  |
|---|----------------------------------|
| Type                                      | HAS5141-0                        |
| ID  | 6905403                          |
| Connector A                               | Male, M8 × 1, Straight           |
| Number of Pins                            | 4                                |
| Contacts                                  | CuZn, Gold-plated                |
| Contact carriers                          | Plastic, PA, Black               |
| Connector body                            | PA, Black                        |
| Coupling nut/screw                        | Brass, CuZn                      |
| Screw-in thread seal                      | plastic, FPM/FKM                 |
| External diameter of the cable            | 2.5...5.1 mm                     |
| Core cross-section/Clamping ability       | 0.14...0.34 mm <sup>2</sup>      |
| Connection mode                           | Insulation displacement terminal |
| Protection class                          | IP67, (screwed together)         |
| <b>Electrical properties at +20 °C</b>    |                                  |
| Rated voltage                             | 32 V                             |
| Current                                   | 4 A                              |
| Insulation resistance                     | ≥ 10 <sup>8</sup> Ω              |
| forward resistance                        | ≤ 5 mΩ                           |
| <b>Mechanical and chemical properties</b> |                                  |
| Ambient temperature range (stationary)    | -5...+50 °C                      |