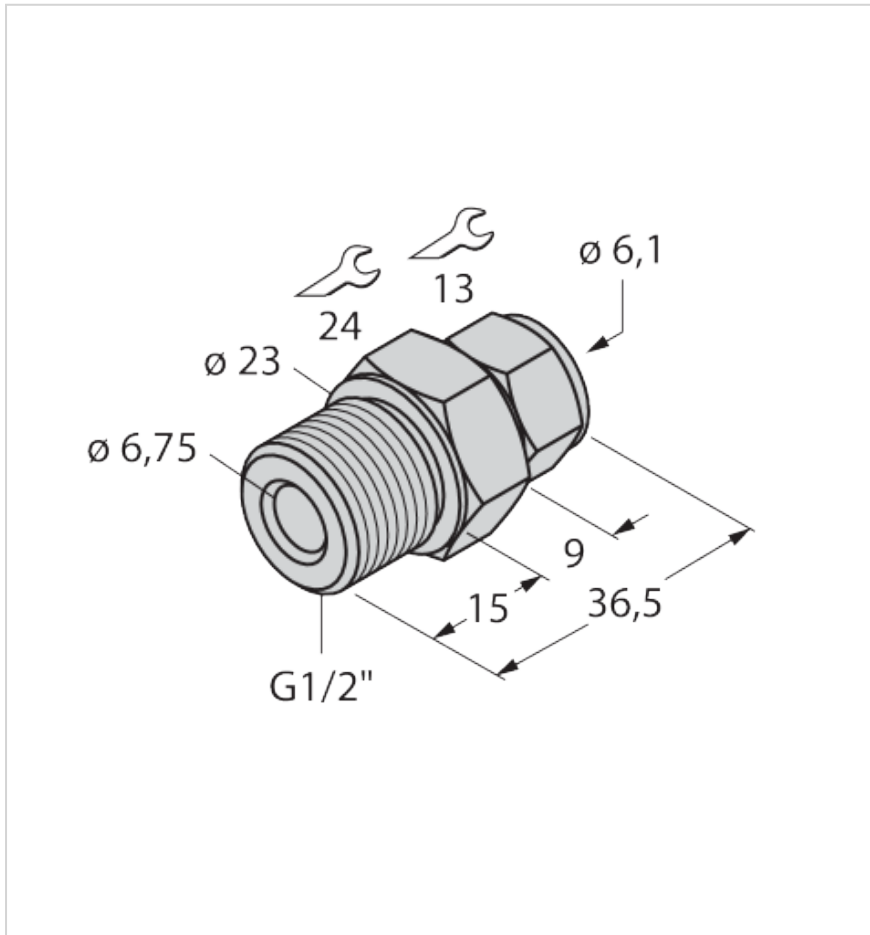


CF-M-6-G1/2-A4

## Accessories

### Compression fitting For Temperature Sensors



<b>Typ</b>	<b>CF-M-6-G1/2-A4</b>
Ident-No.	9910530

## Technical data

General data	
Detection type	medium contact
Measuring principle	Media-contacting
Mounting accessories for	Temperature sensors
Application area	
Pressure resistance	100 bar
Detection area/measuring range	

## Features

- Compression fitting for direct mounting of temperature probes in the TP product series
- Stainless steel
- Metal compression fitting
- For probe with 6 mm diameter
- Process connection G1/2" male thread

## Functional principle

With compression fittings probes can be mounted directly where they are needed. This means that the sensor can be immersed to different depths. Through direct contact

## Technical data

with the medium, they react immediately to temperature changes.

Measuring range	-50...350 °C
Measuring range	-58...662 °F
<b>Temperature</b>	
Temperature measuring range	-50...350 °C
<b>Mechanical data</b>	
Design	Accessories
Housing material	Stainless steel, 1.4404 (AISI 316L)
Max. tightening torque of housing nut	100 Nm
Seal	stainless steel
Internal diameter	7 mm
Process connection	G 1/2" male thread