

Product Data Sheet

migra TFT – IP20

Diagonal	32" / 80cm	42" / 106 cm	47" / 119 cm	55" / 139 cm
----------	------------	--------------	--------------	--------------

Display				
Active screen dimensions (h x v)	693 x 393 mm	930 x 523 mm	1039 x 584 mm	1210 x 680 mm
Resolution (pixel)	1920 x 1080	1920 x 1080	1920 x 1080	1920 x 1080
Viewing angle (typical)	178°	178°	178°	178°
Contrast ratio (typical)	3000:1	1300:1	1300:1	1300:1
Brightness (typical)	350 cd/m ²	700 cd/m ²	700 cd/m ²	700 cd/m ²
Colour performance	16.7 mio colours simultaneously (full colour)			
Response time (typical, grey to grey)	8ms	12ms	12ms	12ms
Backlight system	E-LED (Edge-LED)			

Environmental conditions	
IP protection	IP20 optional with safety glass *
Temperature (operating)	3°C bis + 35°C
Temperature (non-operating)	-20°C bis +60°C
Humidity	10% to 90% (non-condensing)

Power				
Power consumption (IPC version)	49W typ. / 57W max.	95W typ. / 115W max.	100W typ. / 123W max.	113W typ. / 140W max.
Power supply	90V to 264V, 47Hz to 63Hz	90V to 264V, 47Hz to 63Hz	90V to 264V, 47Hz to 63Hz	90V to 264V, 47Hz to 63Hz

Dimensions & Weight				
H x B x D (+/-2mm)	433 x 731 x 64 mm bzw. *95 mm	556 x 963 x 66 mm bzw. *95 mm	617 x 1073 x 65 mm bzw. *95 mm	714 x 1244 x 67 mm bzw. *95 mm
Bezel width	16 mm / top 27 mm	16 mm	16 mm	16 mm
VESA fixings	600 x 200 mm(M8)	600 x 400 mm(M8)	600 x 400 mm(M8)	600 x 400 mm(M8)
Approx. Weight (+/-10%)	11 kg	14 kg	17 kg	24 kg

Approvals

EMI/EMC	EN55022 class A, EN55024, EN61000-3-2/-3
Safety	EN60950, CE


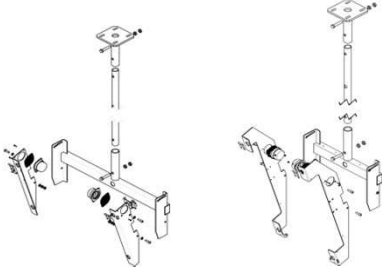
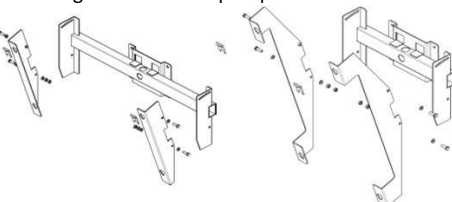
Colour

Standard colour	RAL 9005 (black), powder coated
Standard colour cBox	RAL 9005 (black), powder coated
Customized colour	On request



Options

Wall mounting kits, Mounting kit with tilt adapter plate, Ceiling mounting kits

Wall mounting kits	Ceiling mounting kits
<p>Standard wall mounting bars (pair of bars, non-tilting)</p> 	<p>Mounting kit with tilt adapter plate and ceiling adapter plate, without tube</p> 
<p>Mounting kit with tilt adapter plate</p> 	

Display with IPC (integrated Industrial PC)

Display supplied with integrated industrial PC, operating system and monitoring software.

The consequent use of components from the Intel embedded roadmap secures lowest power consumption as well as optimum performance and reliability. It is perfectly suited to run all kinds of MS Windows based Digital Signage solutions.

IPC	
Processor	Intel® Atom™ E3845 quad core, 1,91 GHz
HDD	min. 32GB SSD
RAM	2GB (2x 1GB Dual Channel)
Graphics	Intel® HD Graphics, Full hardware acceleration for MPEG2, H.264, DirectX11, OCL 1.2, OGL 3.0, WMV9 and VC1
Network adapter Ethernet	1 x 1000
Sound	Intel® High Definition Audio (Intel® HD Audio)
RS232	1x
USB 2.0	2x
SD card slot	1x
DVI-D	1x
DisplayPort 1.2	1x
Audio Lineout	1x
Hardware watchdog	●
Software (installed on SSD) Windows Embedded® WES7P	●

Controls	
User controls	Indoor series: Reset button / Outdoor series: Internal mains switch
Control of display functions	Via IR or USB keyboard or via network

Accessories
 Operating manual (E/D), AC power cord (not for Outdoor Series), IR keyboard (option), IR remote control (option)

Connectors (internal for Outdoor Displays series)



Product Data Sheet

migra TFT – IP54

Diagonal	42" / 106 cm	46" / 117 cm	55" / 139 cm
-----------------	---------------------	---------------------	---------------------

Display			
Active screen dimensions (h x v)	930 x 523 mm	1018 x 573 mm	1210 x 680 mm
Resolution (pixel)	1920 x 1080	1920 x 1080	1920 x 1080
Viewing angle (typical)	178°	178°	178°
Contrast ratio (typical)	4000:1	4000:1	1300:1
Brightness (typical)	500 cd/m ² (panel typ.)	500 cd/m ² (panel typ.)	700 cd/m ² (panel typ.)
Colour performance	16.7 mio colours simultaneously (full colour)		
Backlight system	E-LED (Edge-LED)		
Safety / contrast enhancement panel	anti-glare, 90% light transmission (minimum)		

Environmental conditions	
IP protection display unit	IP 54
IP protection cBox (control box)	IP 20 (optional dust-proof)
Temperature (operating)	0° C bis + 40°C
Temperature (non-operating)	-20° C bis +60°C
Humidity	10% to 90% (non-condensing)

Power			
Power consumption (IPC version)	65W typ. / 110W max.	70W typ. / 115W max.	85W typ. / 140W max.
Power consumption (monitor version)	60W typ. / 105W max.	65W typ. / 110W max.	80W typ. / 135W max.
Power supply	90V to 264V, 47Hz to 63Hz		

Dimensions & Weight			
H x B x D	603 x 1010 x 48 (132/104) mm	652 x 1097 x 48 (132/104) mm	760 x 1289 x 48 (132/104) mm
Weight (+/-10%) (Display with IP20 cBox)	29,5 kg	34,5 kg	44 kg
Weight (+/-10%) (Display with dust-proof cBox)	31,5 kg	36,5 kg	46 kg

Approvals

EMI/EMC	EN55022 class A, EN55024, EN61000-3-2/-3
Safety	EN60950, CE

Colour

Standard colour cabinet	RAL 9005 (black), powder coated
Standard colour front panel	RAL 9006 (white aluminium), powder coated
Standard colour cBox	RAL 9005 (black), powder coated
Customized colour	On request


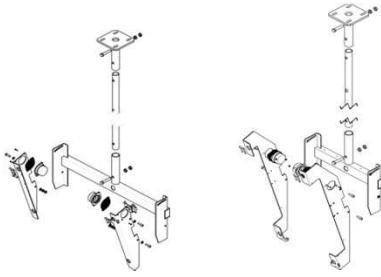
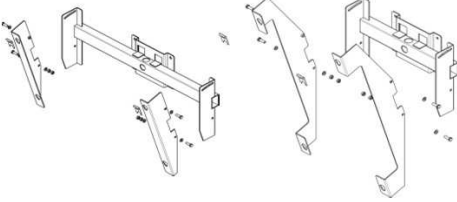


Display unit with IP20 cBox

Display unit without cBox

Options

Wall mounting kits, Mounting kit with tilt adapter plate, Ceiling mounting kits

Wall mounting kits	Ceiling mounting kits
Standard wall mounting bars (pair of bars, non-tilting) 	Mounting kit with tilt adapter plate and ceiling adapter plate, without tube 
Mounting kit with tilt adapter plate 	

Display with IPC (integrated Industrial PC)

Display supplied with integrated industrial PC, operating system and monitoring software.

The consequent use of components from the Intel embedded roadmap secures lowest power consumption as well as optimum performance and reliability. It is perfectly suited to run all kinds of MS Windows based Digital Signage solutions.

IPC	
Processor	Intel® Atom™ E3845 quad core, 1,91 GHz
HDD	min. 32GB SSD
RAM	2GB (2x 1GB Dual Channel)
Graphics	Intel® HD Graphics, Full hardware acceleration for MPEG2, H.264, DirectX11, OCL 1.2, OGL 3.0, WMV9 and VC1
Network adapter Ethernet	1 x 1000
Sound	Intel® High Definition Audio (Intel® HD Audio)
RS232	1x
USB 2.0	2x (with dust-proof box only 1x)
SD card slot	1x (not with dust-proof box)
DVI-D	1x (not with dust-proof box)
DisplayPort 1.2	1x (not with dust-proof box)
HDMI	1x (only with dust-proof box)
Audio Lineout	1x
Hardware watchdog	•
Software (installed on SSD)	•
Windows Embedded® WES7P	

Controls	
User controls	Indoor series: Reset button / Outdoor series: Internal mains switch
Control of display functions	Via IR or USB keyboard or via network

Accessories

Operating manual (E/D), AC power cord (not for Outdoor Series), IR keyboard (option), IR remote control (option)

IPC IP20



IPC dust-proof



Product Data Sheet

migra TFT 70" – IP54

Diagonal 70" / 177 cm

Display

Active screen dimensions (h x v)	1539 x 866 mm
Resolution (pixel)	1920 x 1080
Viewing angle (typical)	176°
Contrast ratio (typical)	5000:1
Brightness (typical)	700 cd/m ² (panel typ.)
Colour performance	16.7 mio colours simultaneously (full colour)
Backlight system	E-LED (Edge-LED)
Safety / contrast enhancement panel	anti-glare, 90% light transmission (minimum)

Environmental conditions

IP protection display unit	IP 54
IP protection cBox (control box)	dust-proof
Temperature (operating)	0° C bis + 40°C
Temperature (non-operating)	-20° C bis +60°C
Humidity	10% to 90% (non-condensing)

Power

Power consumption (IPC version)	150W typ. / 210W max.
Power consumption (monitor version)	145W typ. / 205W max.
Power supply	90V to 264V, 47Hz to 63Hz

Dimensions & Weight

H x B x D	ca. 974 x 1647 x 71 (155) mm
Weight (+/-10%)	ca. 90 kg

Colour	
Standard colour cabinet	RAL 9005 (black), powder coated
Standard colour front panel	RAL 9006 (white aluminium), powder coated
Standard colour cBox	RAL 9005 (black), powder coated
Customized colour	On request


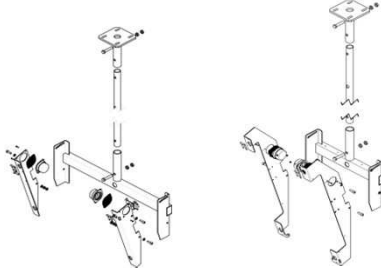
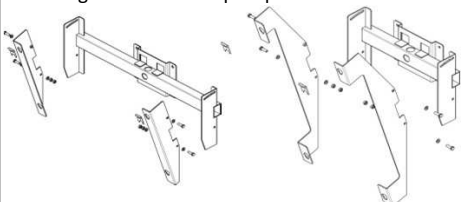


Display unit with IP20 cBox

Display unit without cBox

Options

Wall mounting kits, Mounting kit with tilt adapter plate, Ceiling mounting kits

Wall mounting kits	Ceiling mounting kits
Standard wall mounting bars (pair of bars, non-tilting) 	Mounting kit with tilt adapter plate and ceiling adapter plate, without tube 
Mounting kit with tilt adapter plate 	

Display with IPC (integrated Industrial PC)

Display supplied with integrated industrial PC, operating system and monitoring software.

The consequent use of components from the Intel embedded roadmap secures lowest power consumption as well as optimum performance and reliability. It is perfectly suited to run all kinds of MS Windows based Digital Signage solutions.

IPC	
Processor	Intel® Atom™ E3845 quad core, 1,91 GHz
HDD	min. 32GB SSD
RAM	2GB (2x 1GB Dual Channel)
Graphics	Intel® HD Graphics, Full hardware acceleration for MPEG2, H.264, DirectX11, OCL 1.2, OGL 3.0, WMV9 and VC1
Network adapter Ethernet	1 x 1000
Sound	Intel® High Definition Audio (Intel® HD Audio)
RS232	1x
USB 2.0	2x
HDMI	1x
Audio Lineout	1x
Hardware watchdog	●
Software (installed on SSD)	●
Windows Embedded® WES7P	

Controls	
User controls	Mains switch
Control of display functions	Via IR or USB keyboard or via network

Accessories
 Operating manual (E/D), AC power cord (not for Outdoor Series), IR keyboard (option), IR remote control (option)

